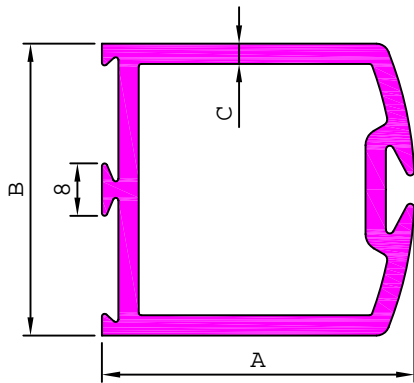
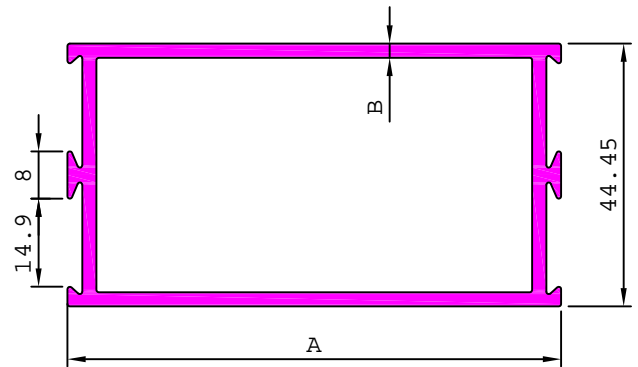


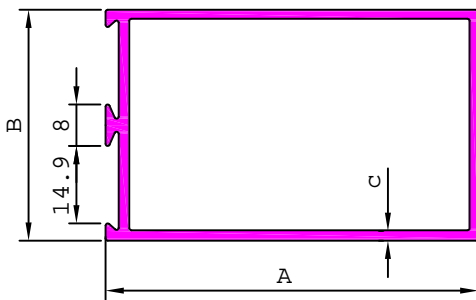
DOORS SECTIONS



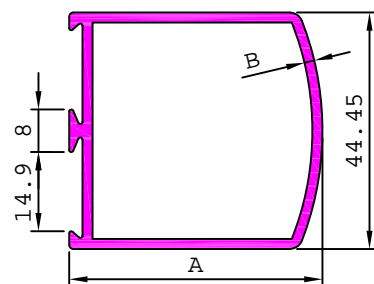
SL. No.	Section No.	A	B	C	Weight kg/m
1	19543	47.62	44.45	0.80	0.493
2	19538	47.62	44.45	1.18	0.667
3	19547	47.62	44.45	1.35	0.759
4	19526	47.62	44.50	1.62	0.881
5	19569	47.62	44.45	2.02	1.052
6	19501	47.62	44.45	3.10	1.509
7	19585	50.00	44.50	1.90	1.030
8	19554	50.00	44.50	2.50	1.292
9	19516	53.70	44.45	2.30	1.238
10	19600	85.00	44.45	1.40	1.037
11	19550	85.00	44.45	1.56	1.139
12	19572	85.00	44.45	1.80	1.301
13	19560	85.00	44.45	2.00	1.417
14	19509	85.00	44.45	3.00	2.050
15	19592	85.00	44.45	3.26	2.200



SL. No.	Section No.	A	B	Weight kg/m
1	20006	25.00	2.40	0.918
2	20042	49.91	0.98	0.607
3	20086	49.91	1.30	0.753
4	19575	49.91	1.60	0.882
5	20060	49.91	2.01	1.072
6	20014	49.91	3.00	1.495
7	19625	83.50	1.28	0.976
8	19599	83.50	1.40	1.052
9	19551	83.50	1.54	1.139
10	19535	83.50	1.70	1.243
11	20111	83.50	2.11	1.497
12	19525	83.50	2.40	1.679
13	19583	83.50	3.18	2.145
14	19564	100.00	2.00	1.603
15	19653	100.00	3.00	2.302
16	20002	150.00	2.65	2.779
17	19596	150.00	3.00	3.116
18	19620	200.00	3.00	3.926

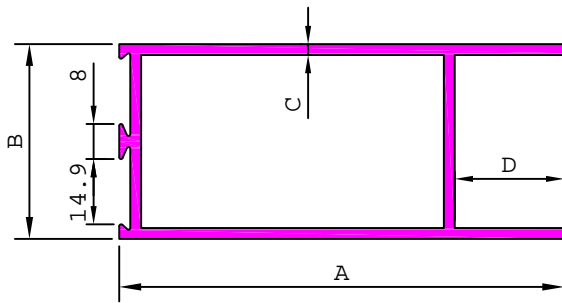


SL. No.	Section No.	A	B	C	Weight kg/m
1	19542	47.62	44.45	1.14	0.607
2	19527	47.62	44.45	1.74	0.881
3	20071	47.62	44.45	1.88	0.943
4	20061	47.62	44.45	2.17	1.072
5	19512	47.62	44.45	3.00	1.426
6	19548	47.62	44.50	1.42	0.737
7	19549	83.50	44.45	1.62	1.139
8	19582	83.50	44.45	1.87	1.300
9	19508	83.50	44.45	3.00	2.107
10	19647	83.50	44.45	4.00	2.609
11	19568	104.00	44.45	1.80	1.600

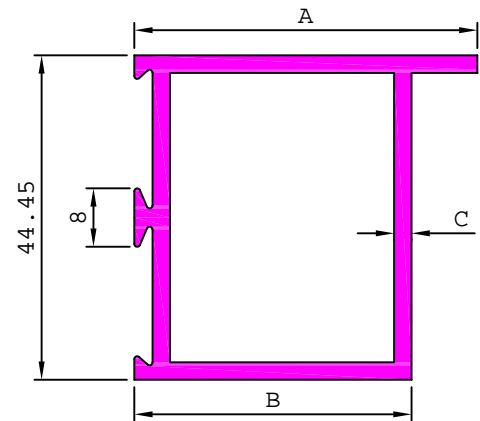


SL. No.	Section No.	A	B	Weight kg/m
1	19570	47.62	1.90	0.911
2	19502	47.62	2.82	1.294
3	19518	53.70	2.30	1.173

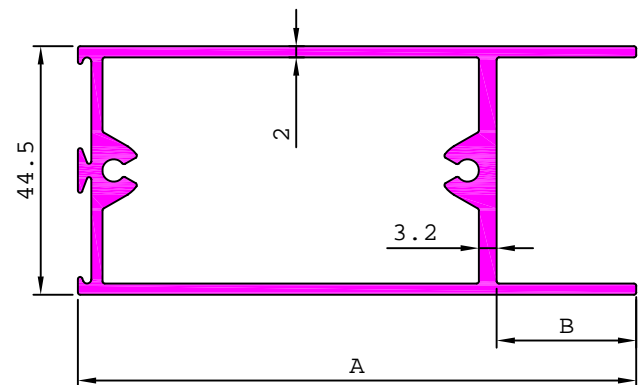
DOORS SECTIONS



SL. No.	Section No.	A	B	C	D	Weight kg/m
1	19576	47.62	44.45	0.99	10.15	0.537
2	19539	47.62	44.45	1.40	10.20	0.719
3	19637	47.62	44.45	1.67	10.20	0.850
4	19528	47.62	44.45	1.74	10.16	0.881
5	19571	47.62	44.45	1.95	10.16	0.974
6	19503	47.62	44.45	3.18	10.16	1.501
7	19555	50.00	44.50	2.50	9.50	1.247
8	19580	83.50	44.45	1.49	9.50	1.055
9	20140	83.50	44.45	1.26	9.50	0.935
10	19581	83.50	44.45	2.00	9.50	1.384
11	19593	83.50	44.45	3.27	9.50	2.172
12	19648	83.50	44.45	4.00	9.50	2.609
13	19563	85.00	44.45	2.70	10.00	1.843
14	19544	95.25	44.45	0.89	25.40	0.719
15	19540	95.25	44.45	1.16	25.40	0.911
16	19529	95.25	44.45	1.70	25.40	1.301
17	19505	95.25	44.45	2.00	25.40	1.511
18	19556	101.60	44.50	2.50	25.00	1.943
19	19541	114.30	44.45	1.29	25.40	1.139
20	19534	114.30	44.45	1.35	10.15	1.190
21	19530	114.30	44.45	1.49	25.40	1.302
22	19623	114.30	44.45	1.68	10.15	1.459
23	19567	114.30	44.45	1.75	10.15	1.516
24	19559	114.30	44.45	1.95	10.15	1.674
25	19573	114.30	44.45	2.15	10.15	1.836
26	19574	114.30	44.45	2.15	25.40	1.836
27	19591	114.30	44.45	2.42	10.15	2.051
28	19510	114.30	44.45	3.18	10.15	2.646
29	19511	114.30	44.45	3.18	25.40	2.646
30	19517	150.00	44.45	2.20	25.40	2.376
31	19584	150.00	44.45	3.10	25.40	3.181
32	19621	200.00	44.45	3.00	25.40	3.894

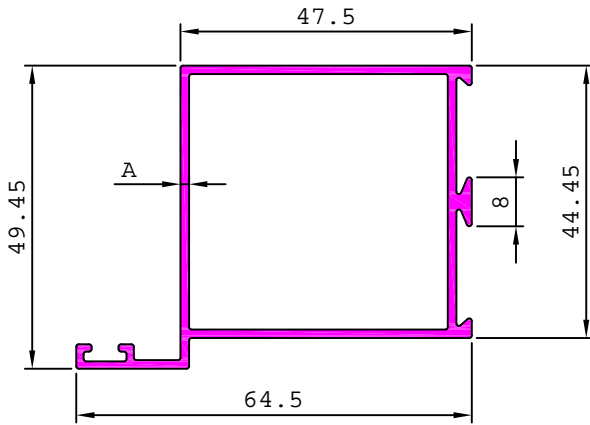


SL. No.	Section No.	A	B	C	Weight kg/m
1	19566	47.00	38.00	2.40	1.102
2	19616	47.00	38.00	4.20	1.797
3	19579	47.50	38.25	1.58	0.769
4	19636	47.62	37.46	3.00	1.344
5	20138	83.50	73.35	1.46	0.998
6	19590	83.50	73.35	1.55	1.053

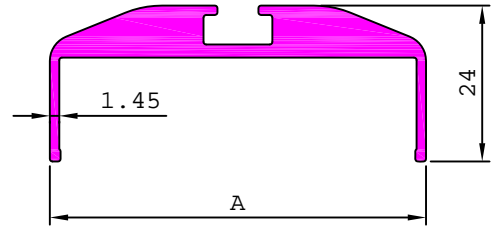


SL. No.	Section No.	A	B	Weight kg/m
1	19520	48.00	9.50	1.342
2	19519	100.00	25.00	1.917

DOORS SECTIONS



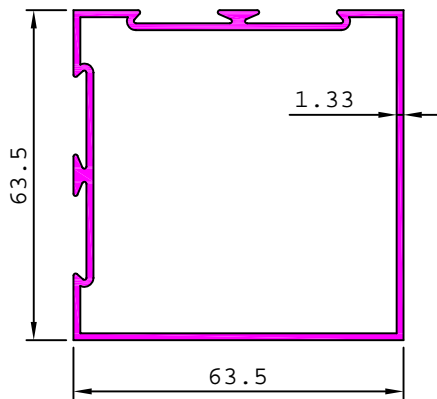
SL. No.	Section No.	A	Weight kg/m
1	19613	1.40	0.830
2	19565	2.40	1.281



SL. No.	Section No.	A	Weight kg/m
1	19650	48.00	0.774
2	19649	57.90	0.988

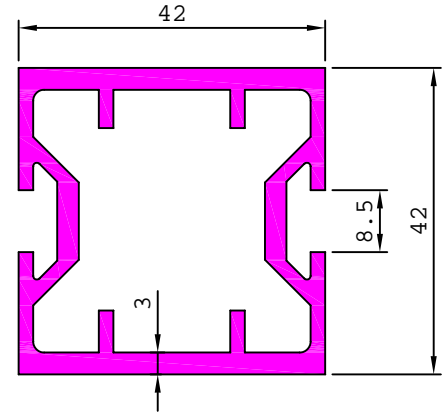
19578

1.006 kg/m



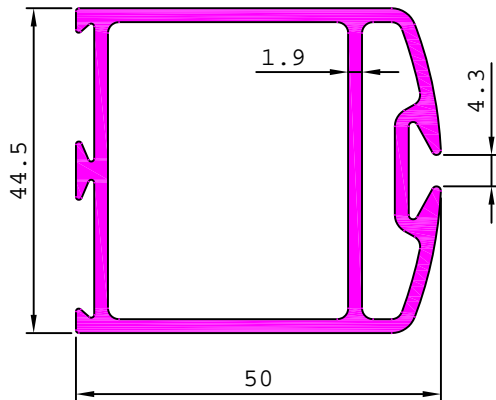
19514

1.415 kg/m



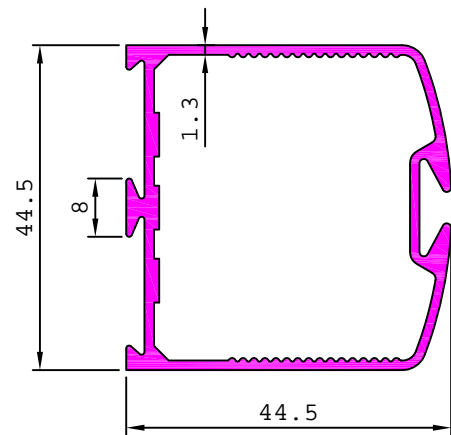
19614

1.243 kg/m



19589

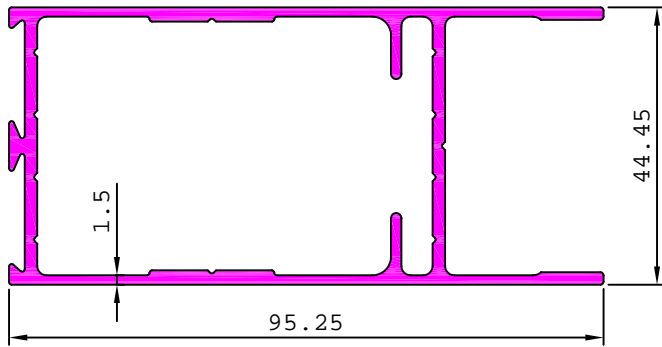
0.777 kg/m



DOORS SECTIONS

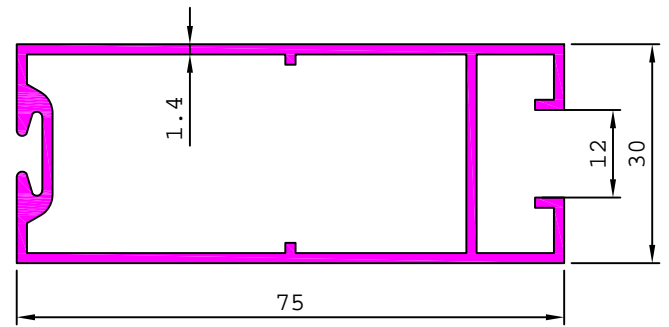
19601

1.481 kg/m



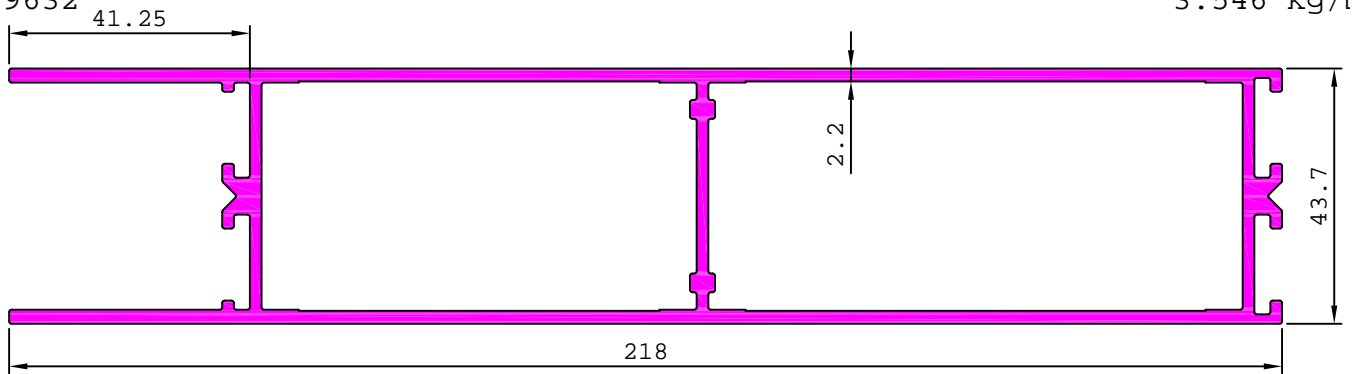
19531

0.924 kg/m



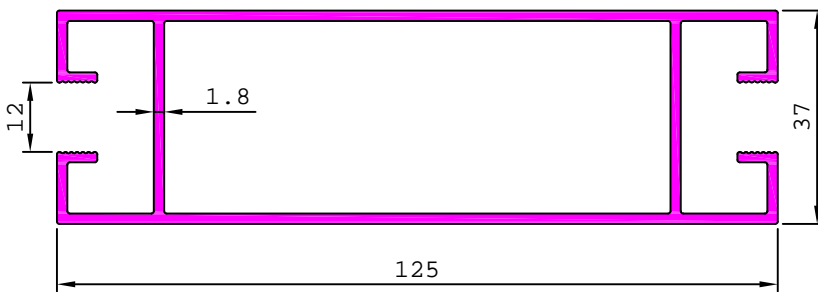
19632

3.546 kg/m



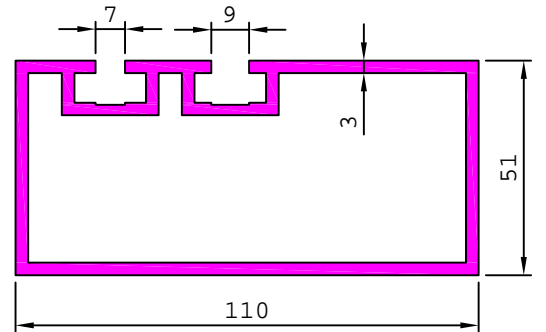
19634

1.840 kg/m



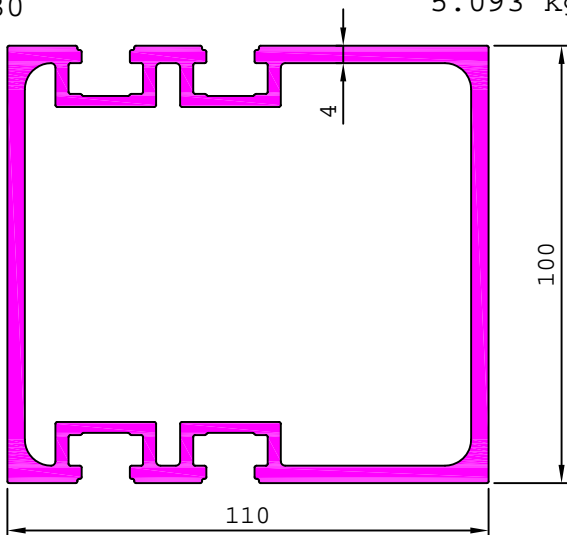
19545

2.959 kg/m



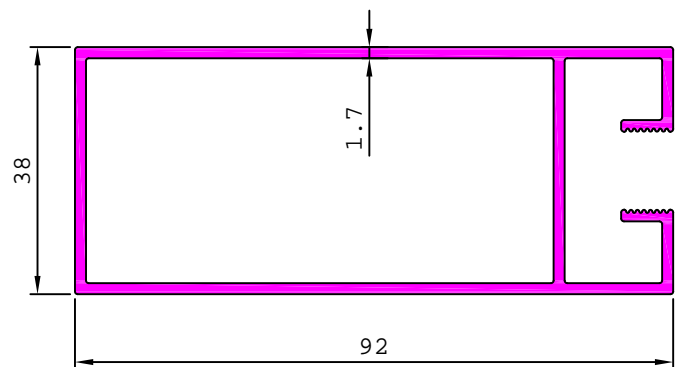
19630

5.093 kg/m



21339

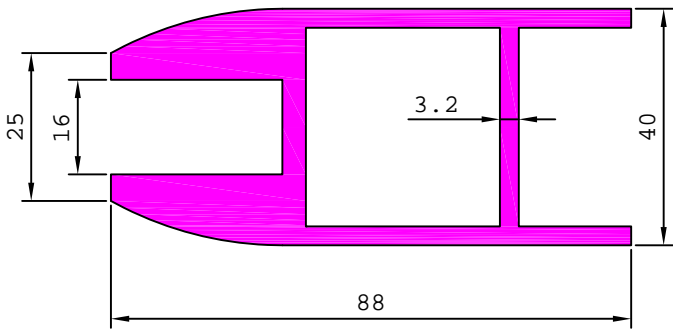
1.318 kg/m



DOORS SECTIONS

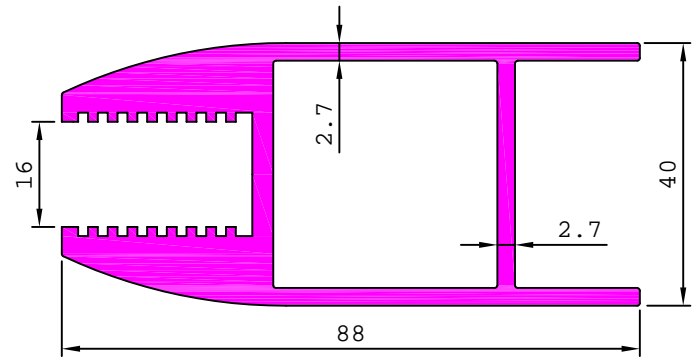
19515

3.170 kg/m



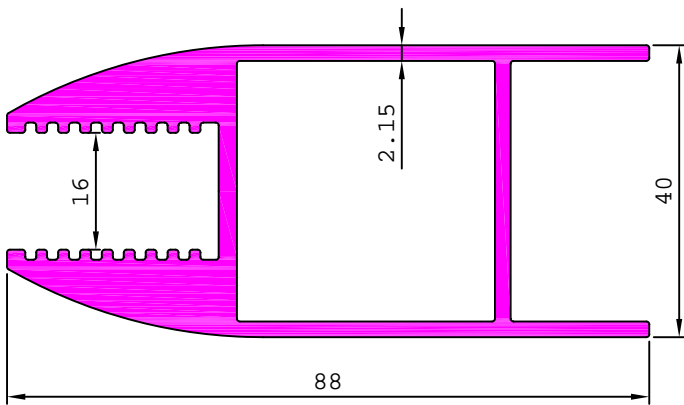
19546

2.725 kg/m



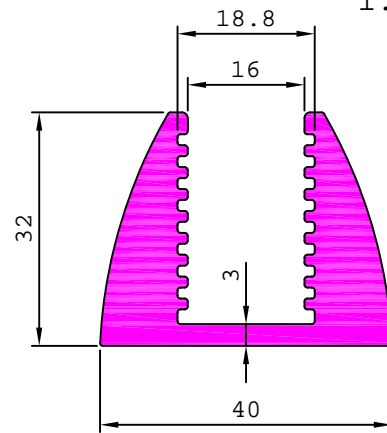
19595

2.325 kg/m



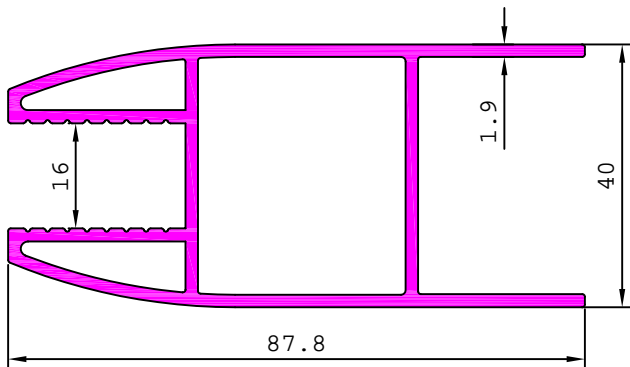
19611

1.527 kg/m



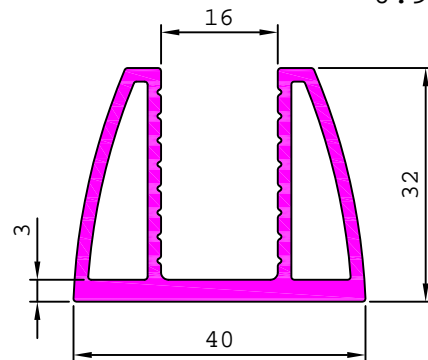
19602

1.581 kg/m



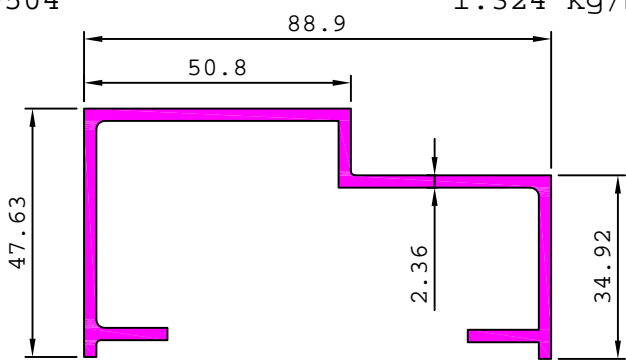
19646

0.914 kg/m

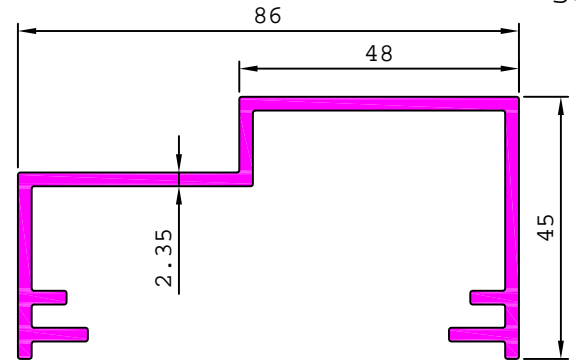


DOORS SECTIONS

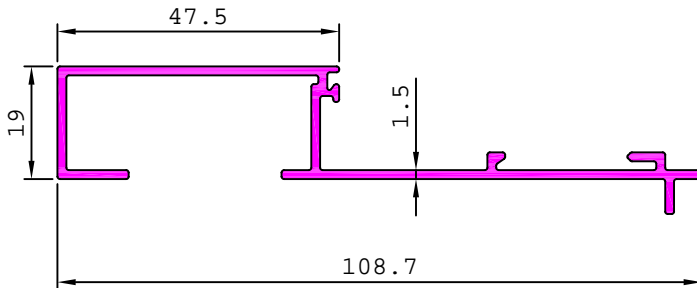
19504 1.324 kg/m



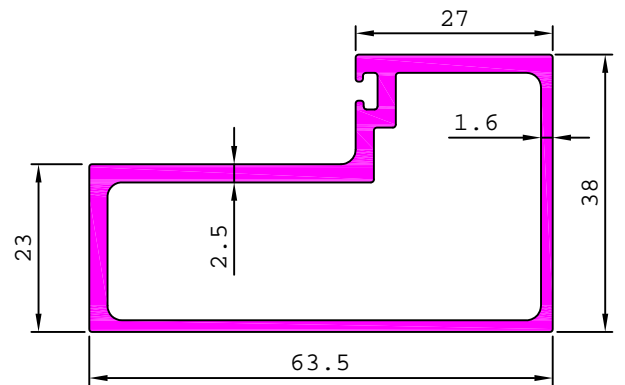
19594 1.285 kg/m



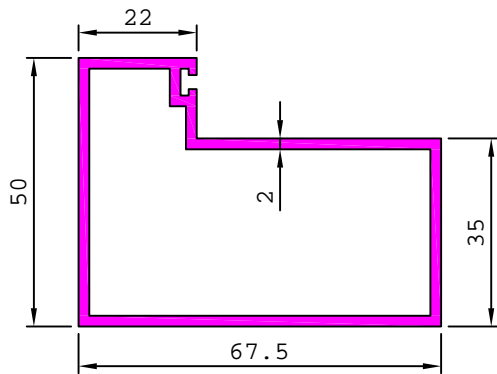
19626 0.745 kg/m



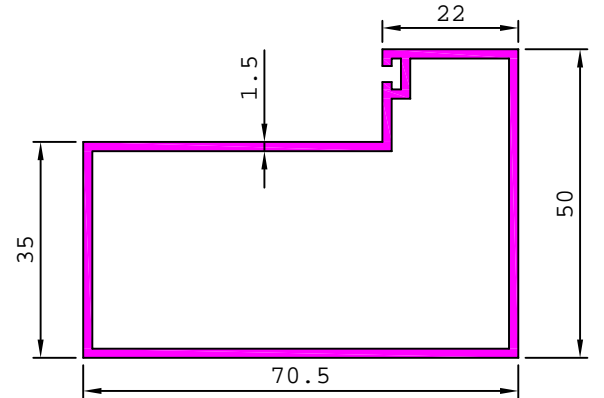
19552 1.116 kg/m



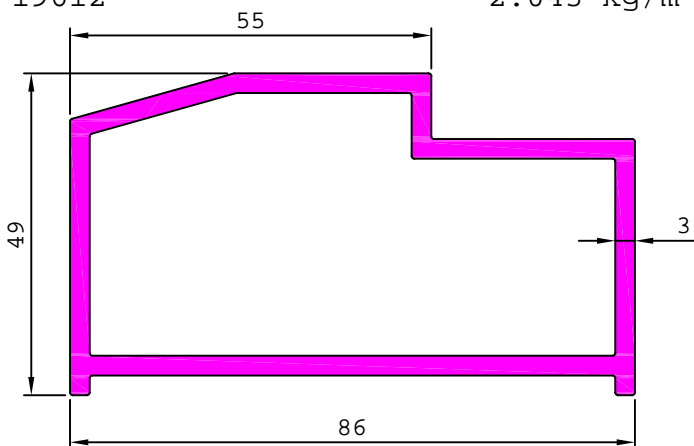
19557 1.248 kg/m



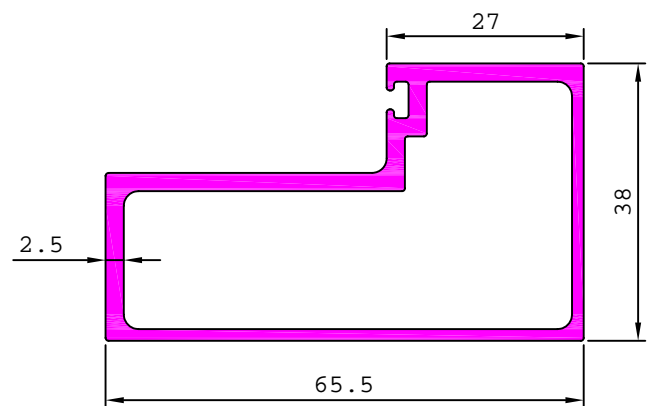
19609 0.974 kg/m



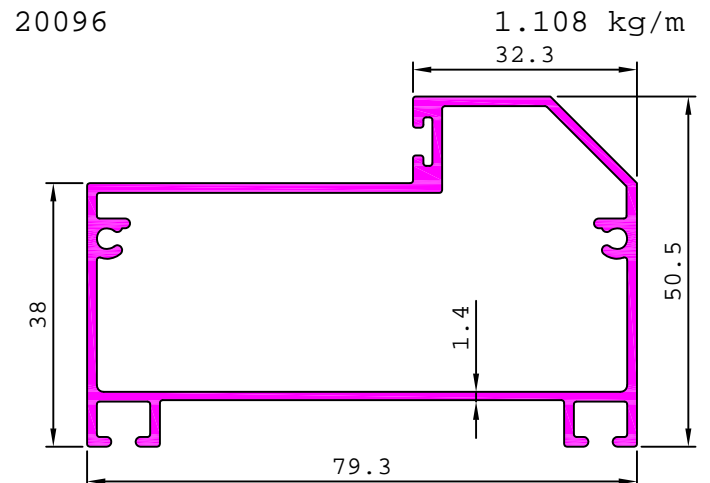
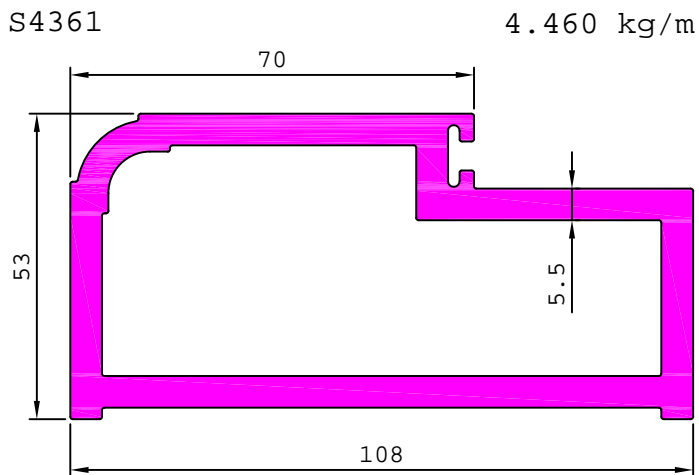
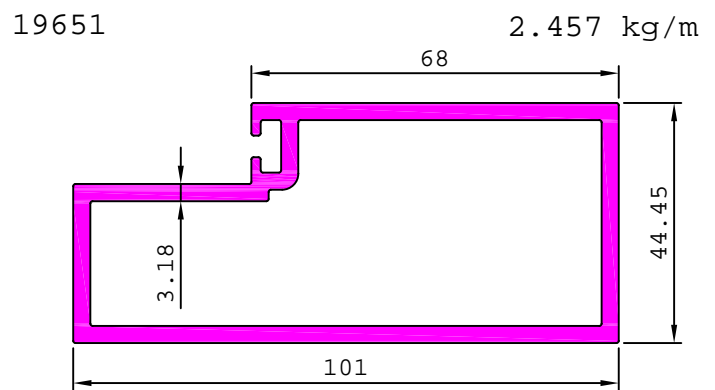
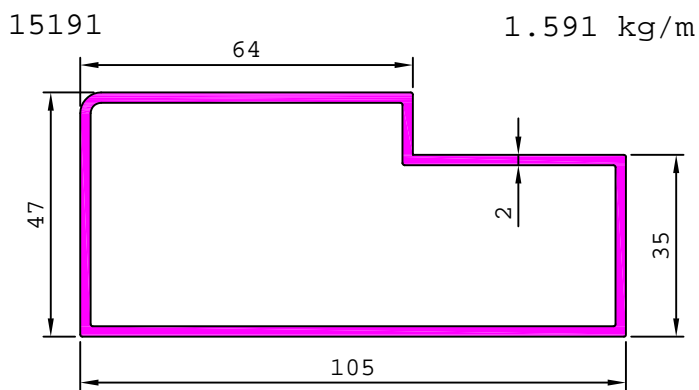
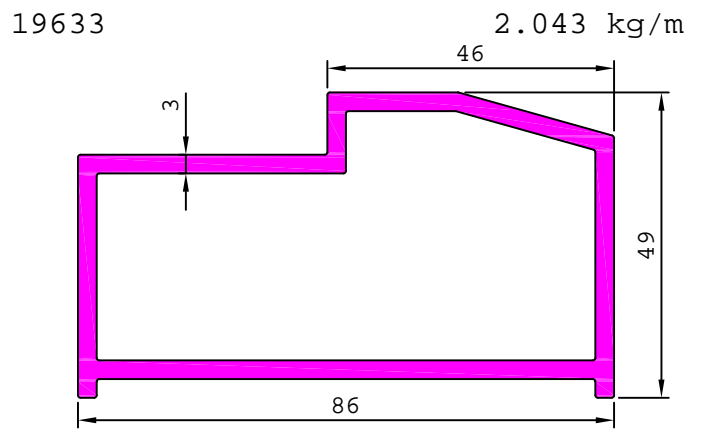
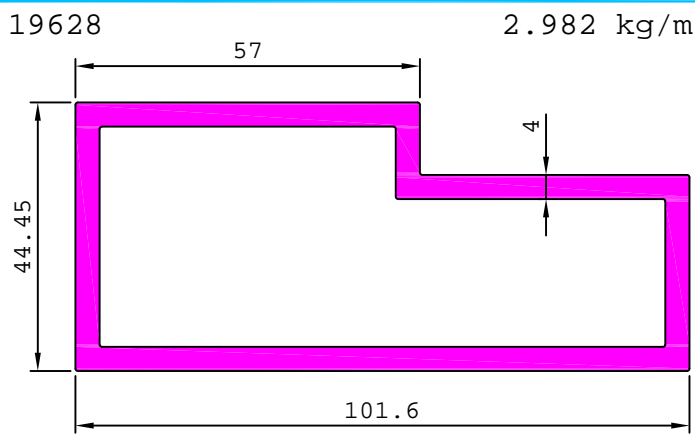
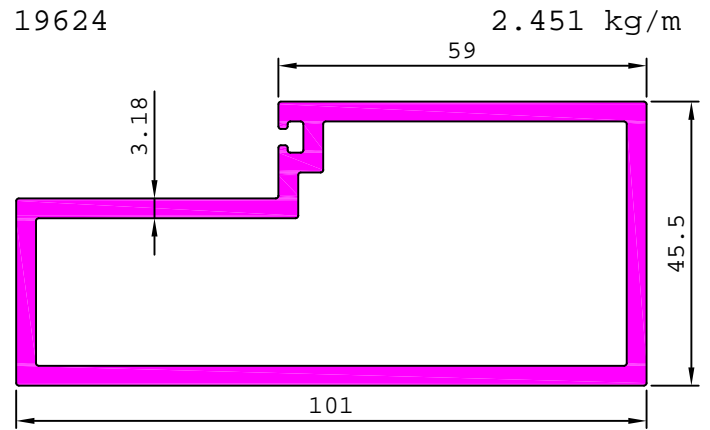
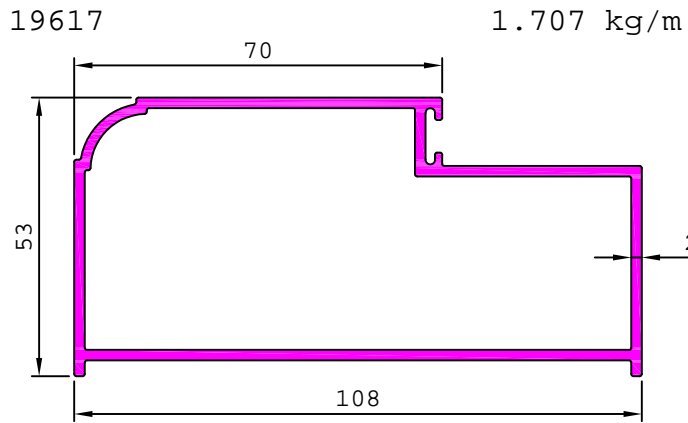
19612 2.043 kg/m



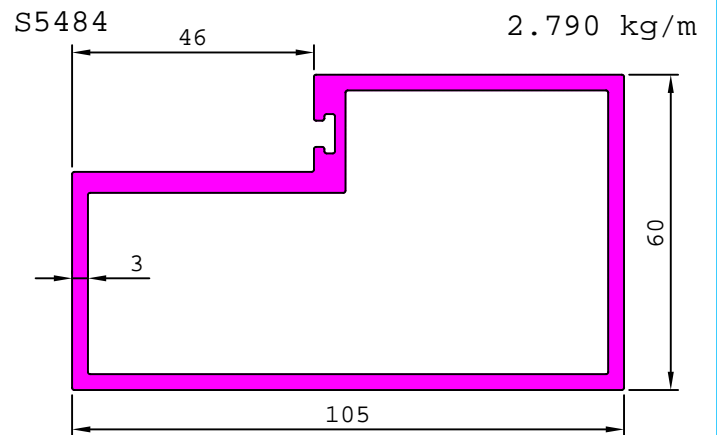
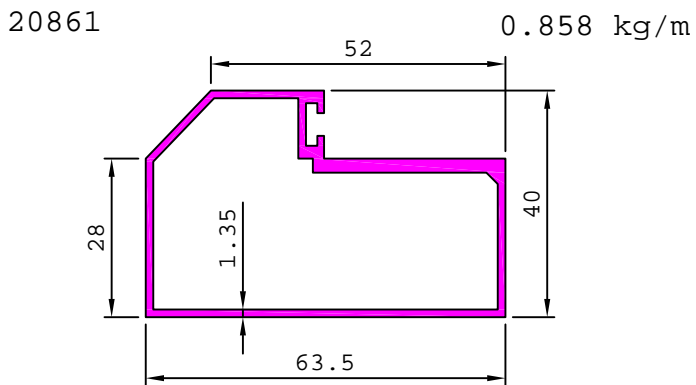
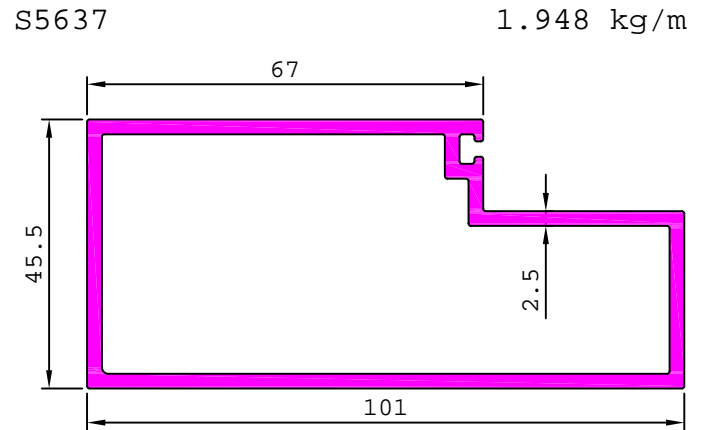
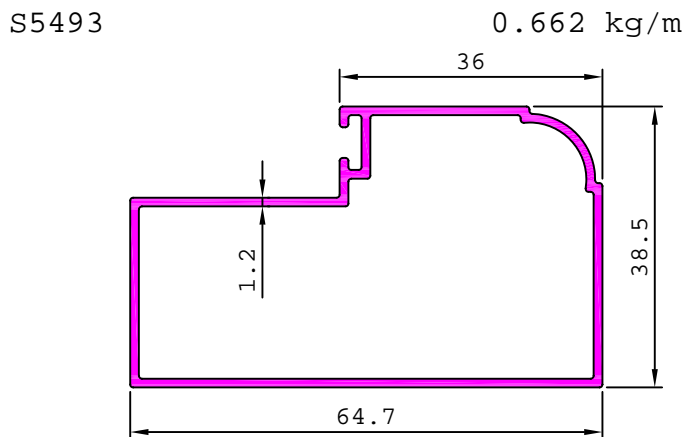
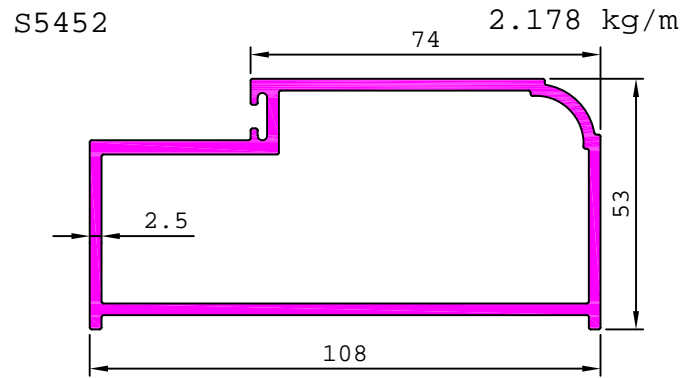
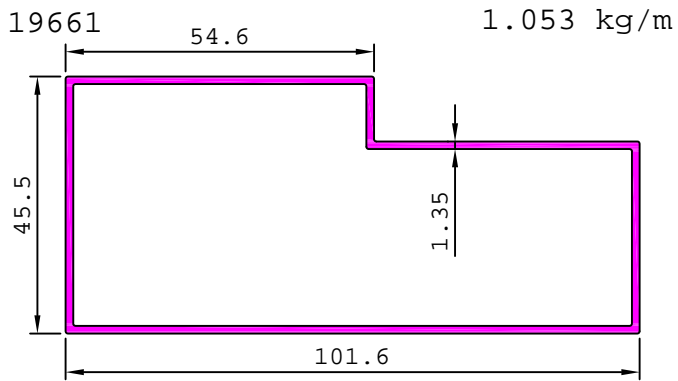
19619 1.124 kg/m



DOORS SECTIONS



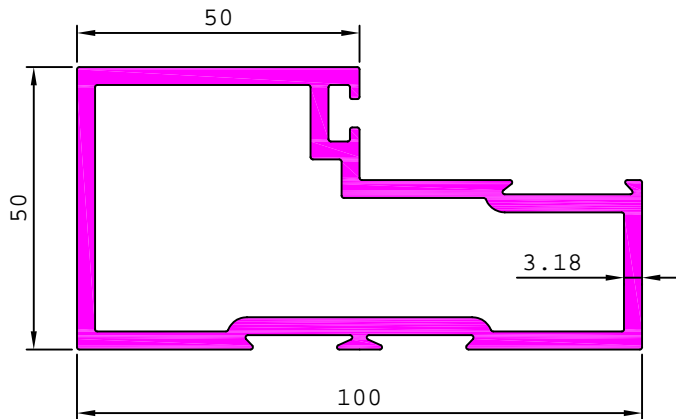
DOORS SECTIONS



DOORS SECTIONS

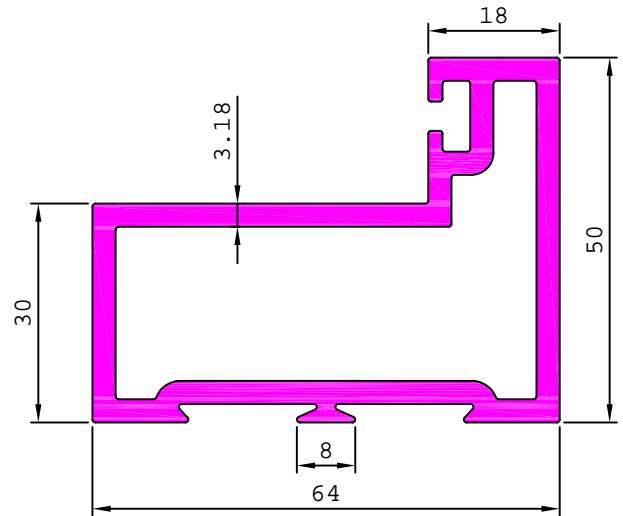
19662

2.628 kg/m



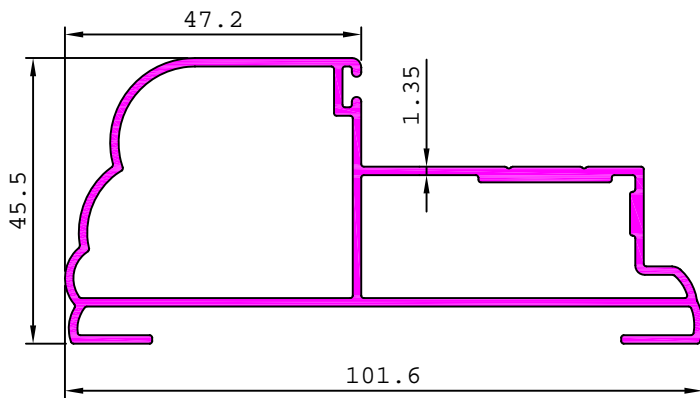
20149

1.999 kg/m

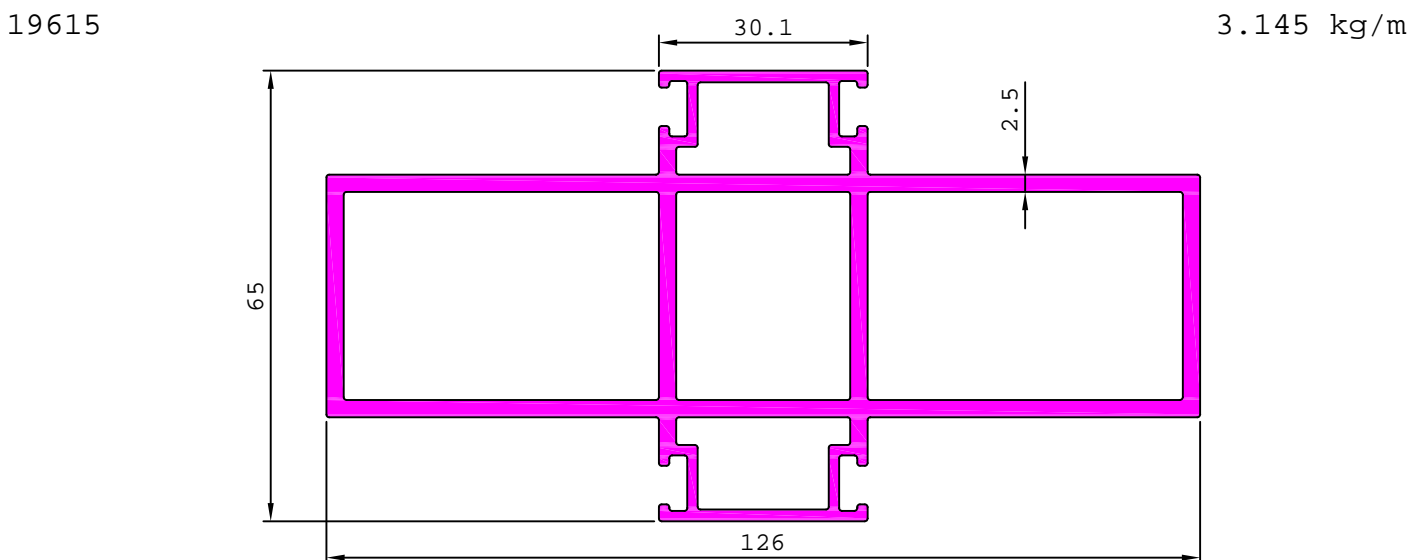
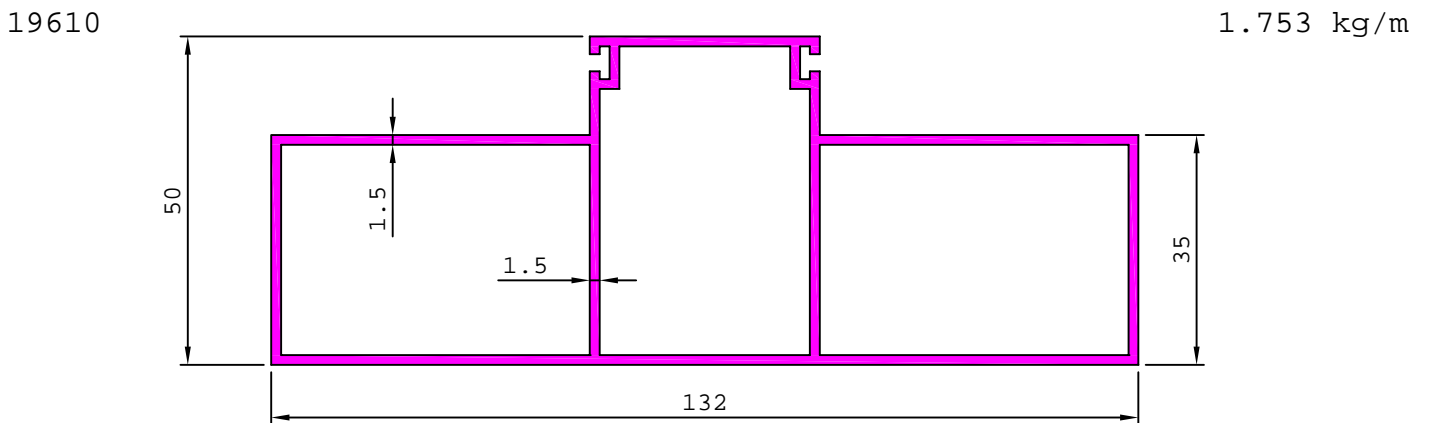
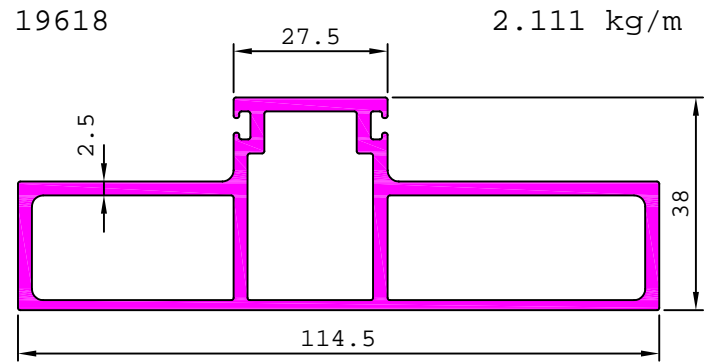
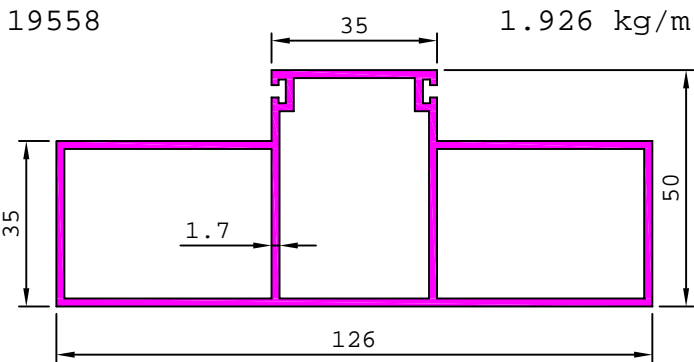
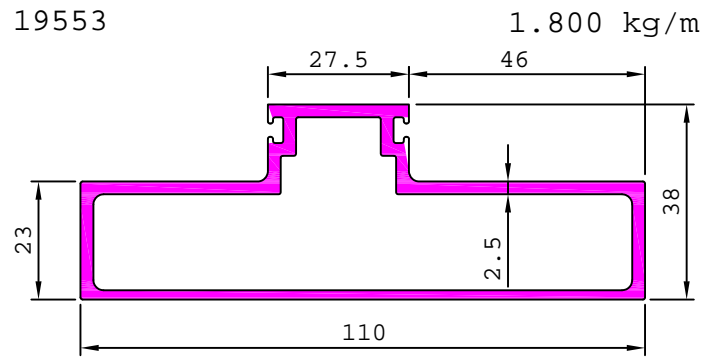
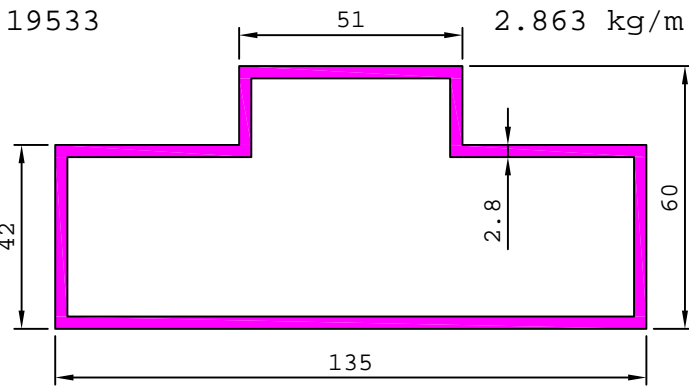


38521

1.259 kg/m



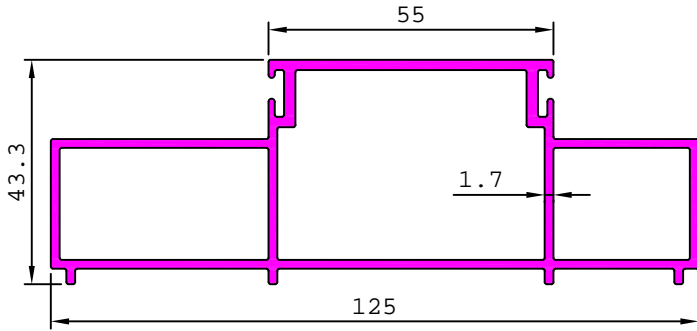
DOORS SECTIONS



DOORS SECTIONS

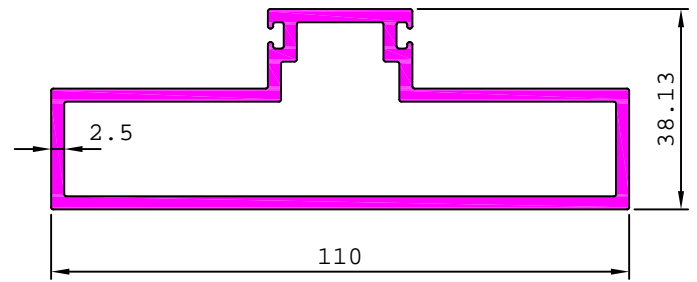
19635

1.876 kg/m



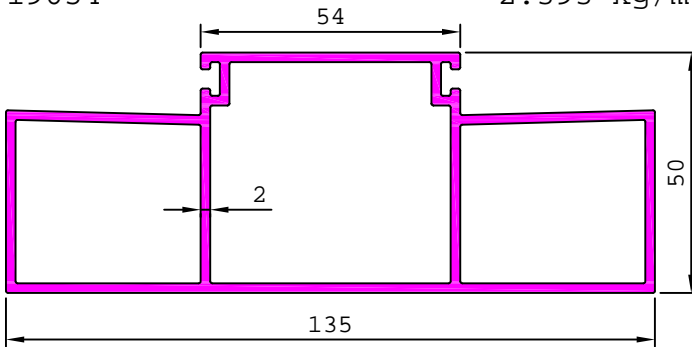
19622

1.986 kg/m



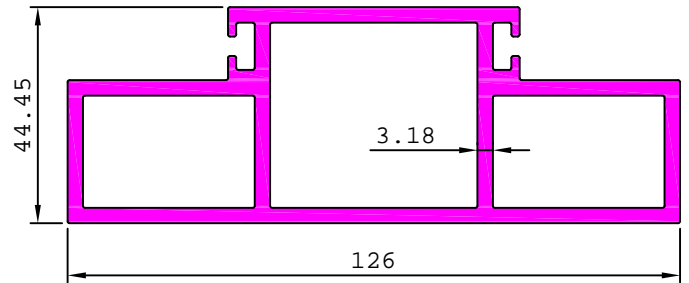
19654

2.393 kg/m



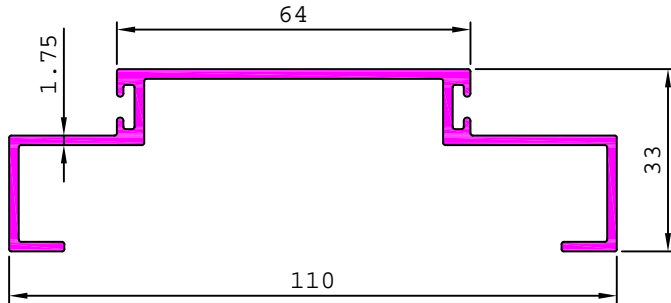
19659

3.425 kg/m



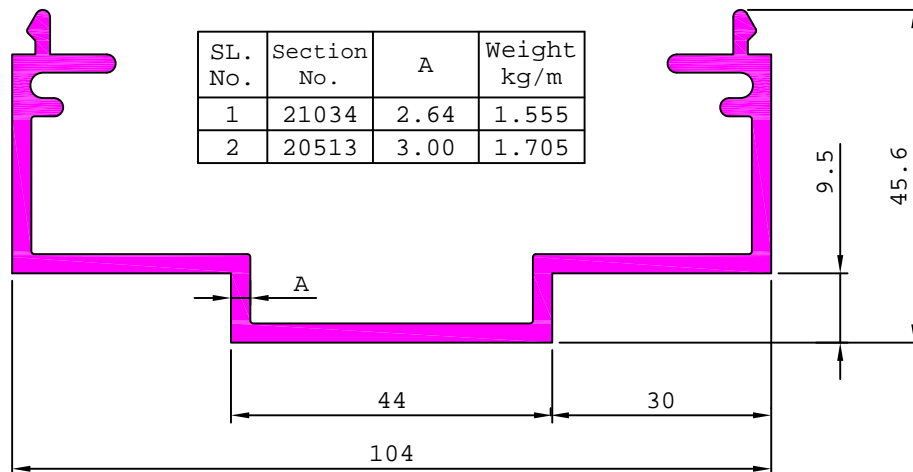
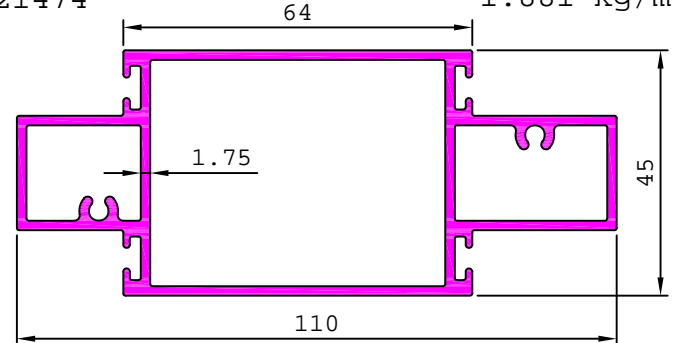
21473

0.988 kg/m

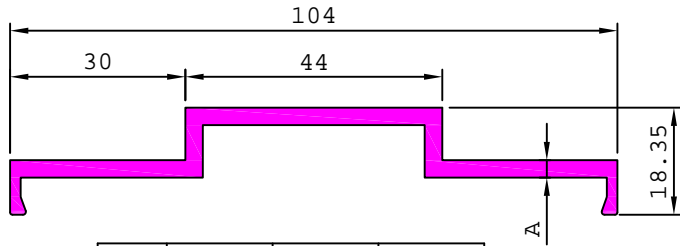


21474

1.881 kg/m

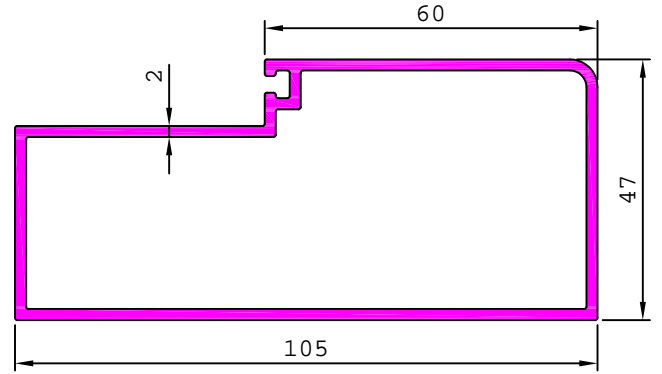


DOORS SECTIONS

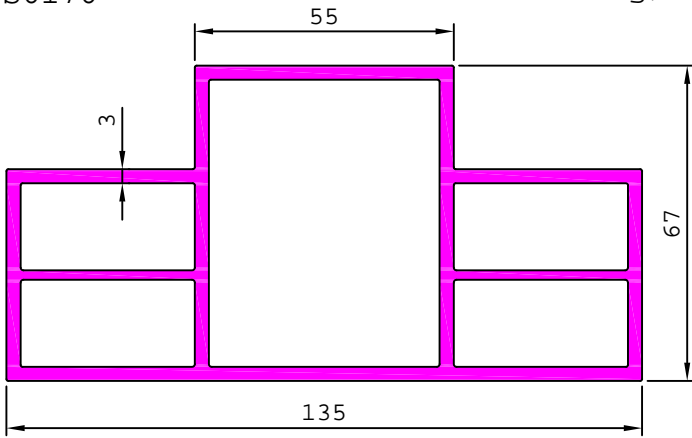


SL. No.	Section No.	A	Weight kg/m
1	21033	2.64	0.945
2	20515	3.00	1.056

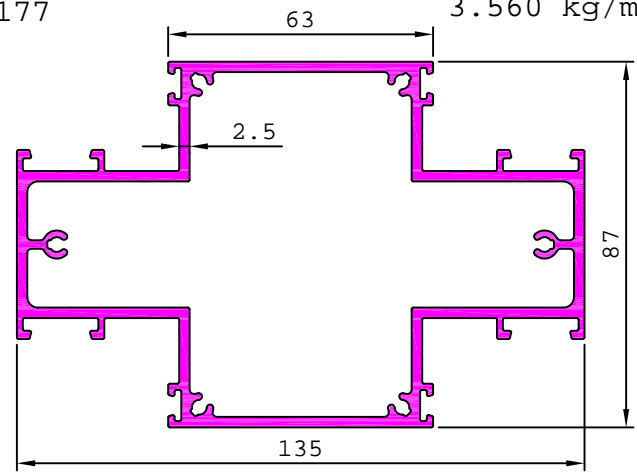
S5745 1.624 kg/m



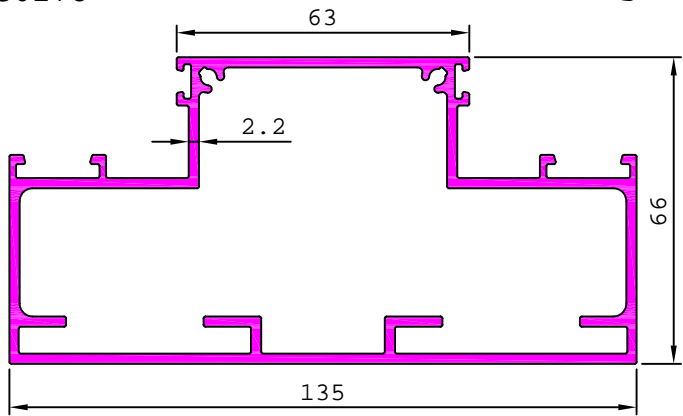
S6176 4.209 kg/m



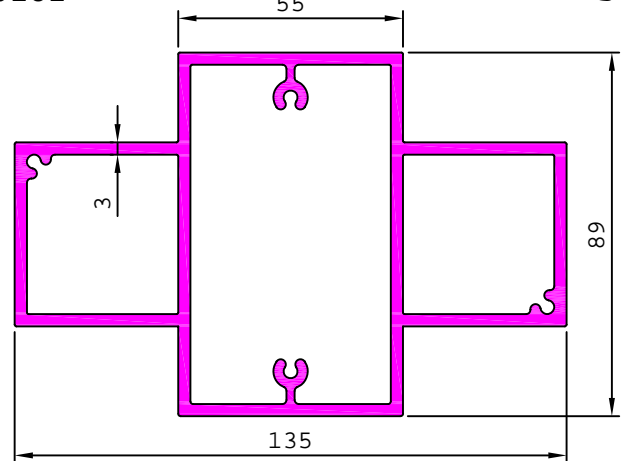
S6177 3.560 kg/m



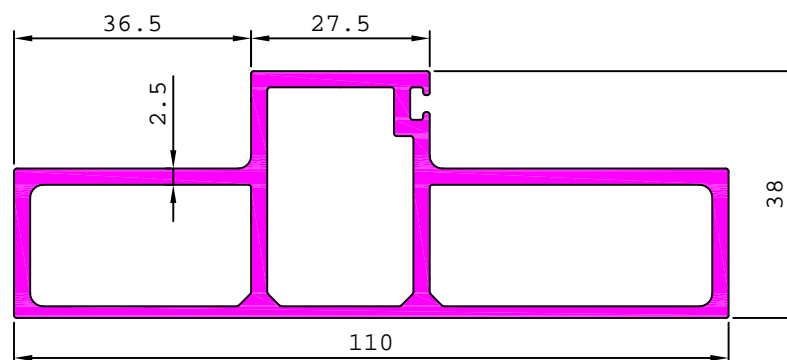
S6178 2.905 kg/m



S6181 4.479 kg/m

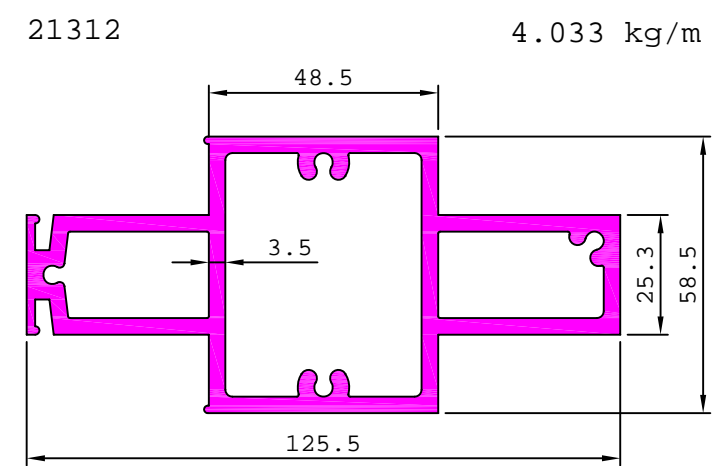
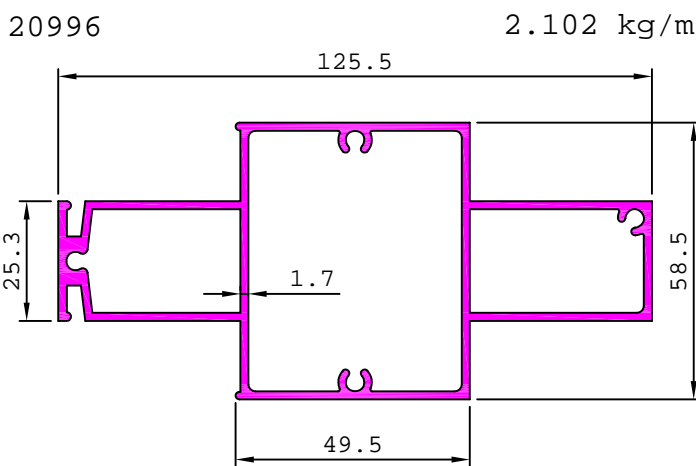
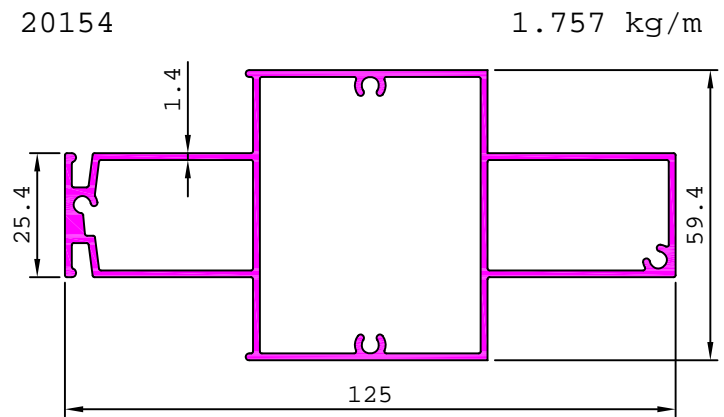
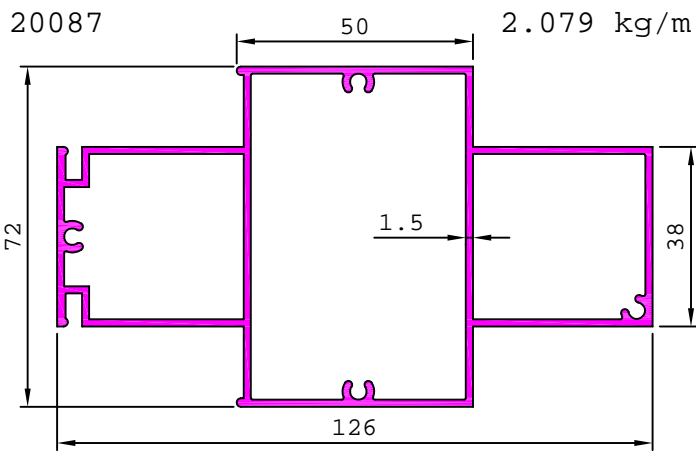
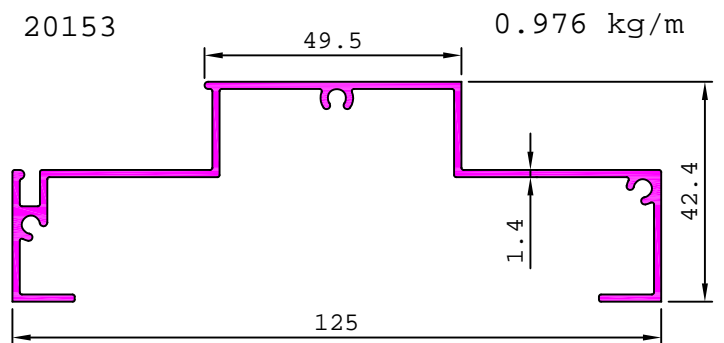
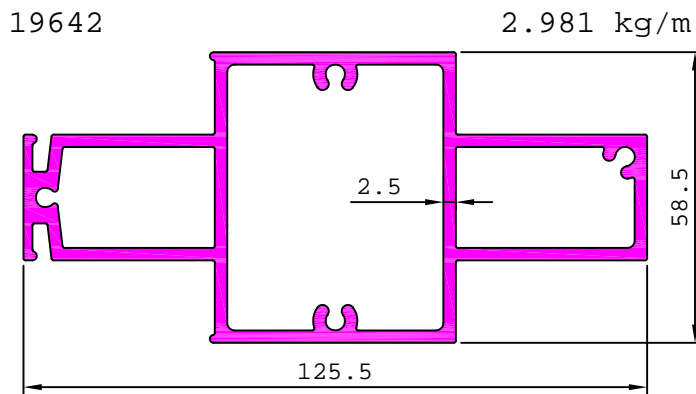
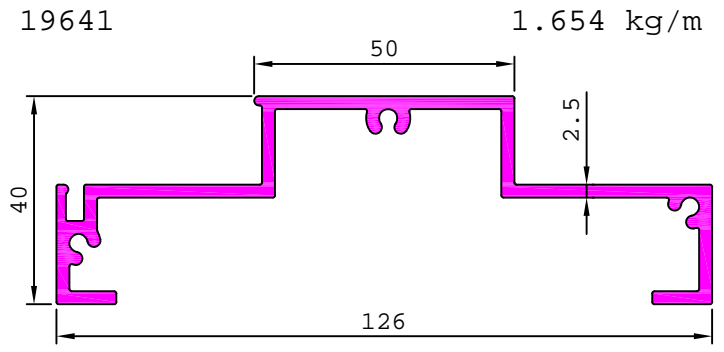
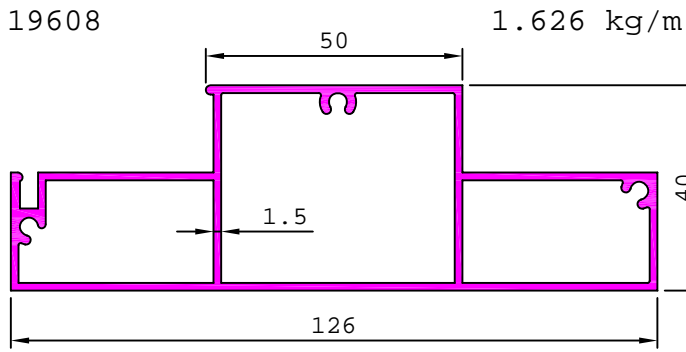


S6281

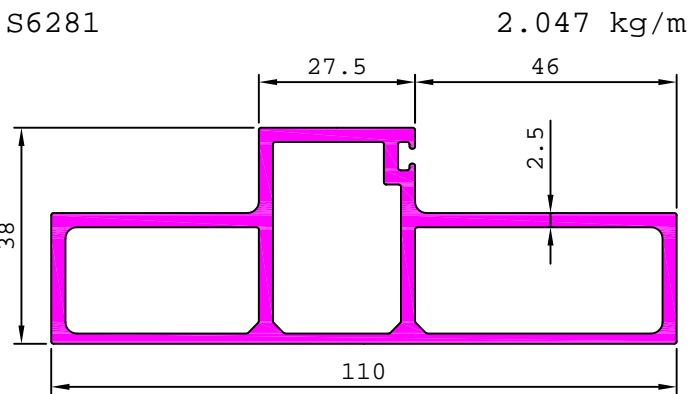
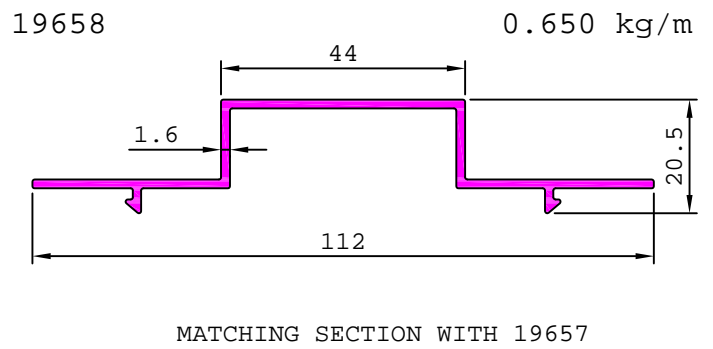
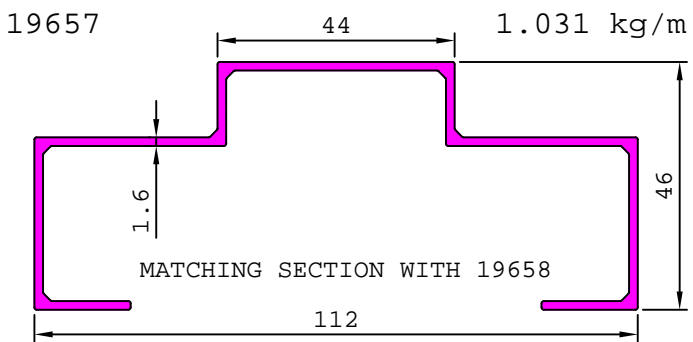
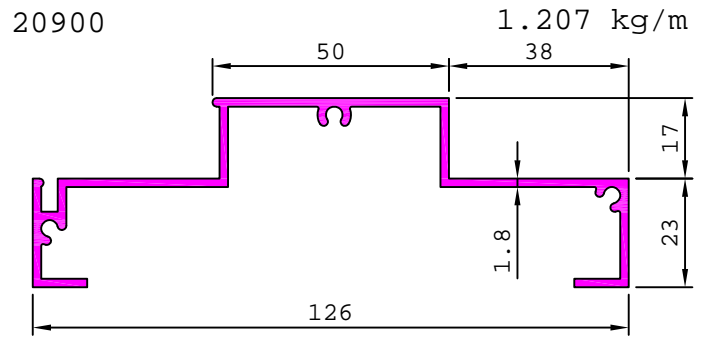
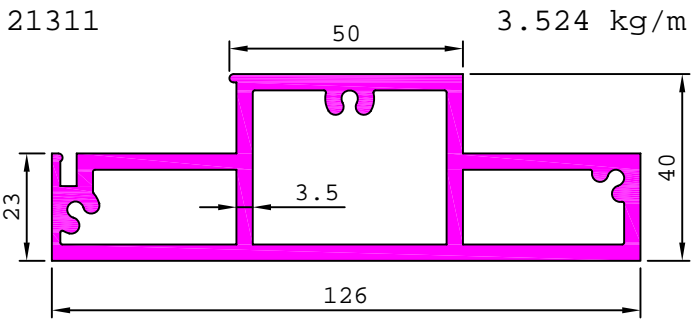


2.047 kg/m

DOORS SECTIONS



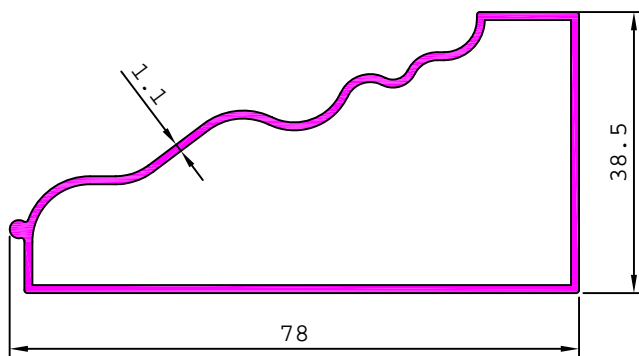
DOORS SECTIONS



DOORS SECTIONS

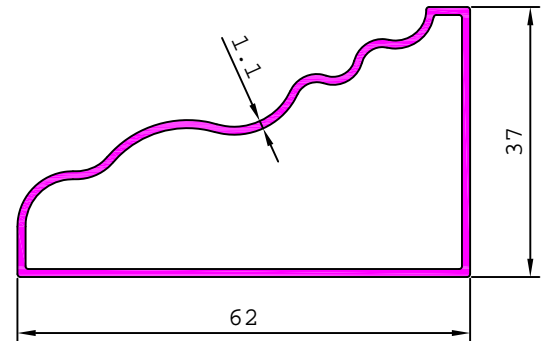
19598

0.632 kg/m



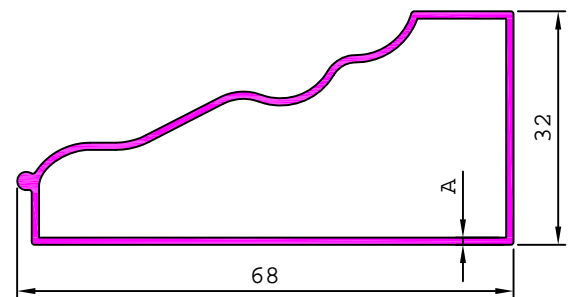
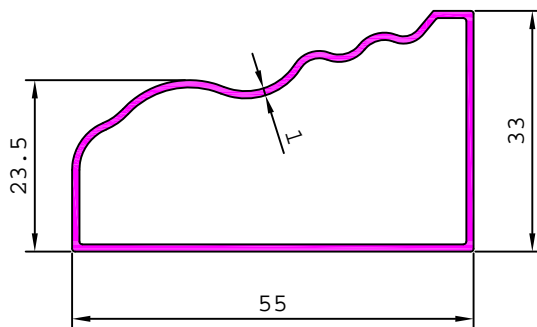
19603

0.529 kg/m



19606

0.434 kg/m

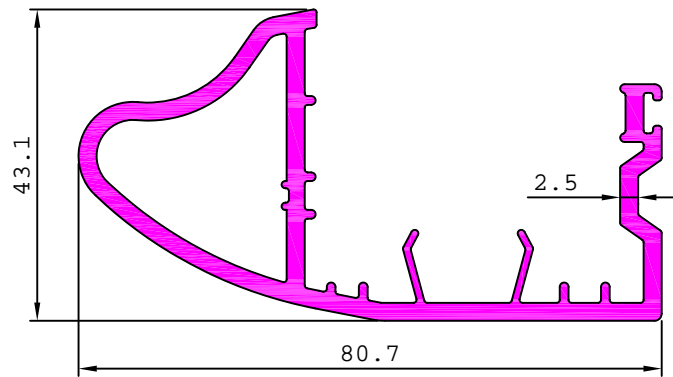


SL. No.	Section No.	A	Weight kg/m
1	19607	0.80	0.397
2	19597	1.00	0.492

DOORS SECTIONS

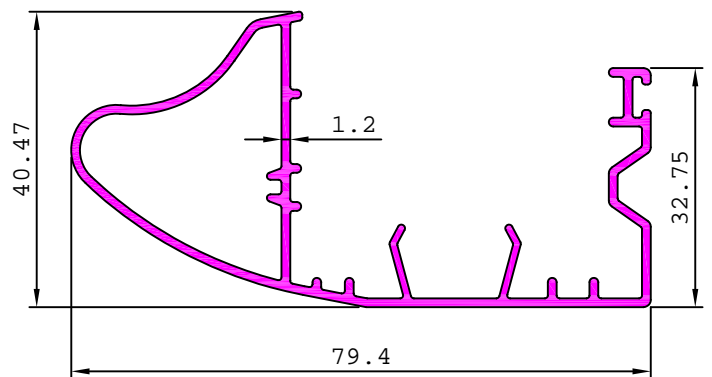
19631

1.450 kg/m



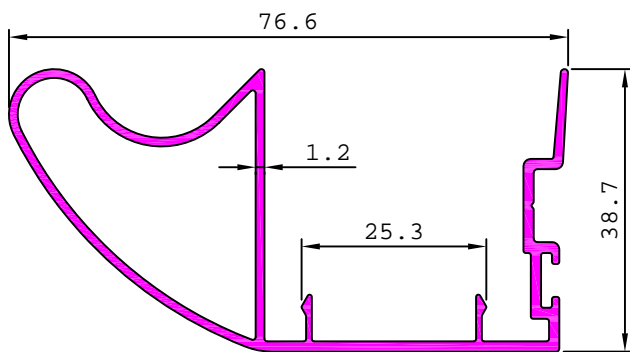
19639

0.785 kg/m



19466

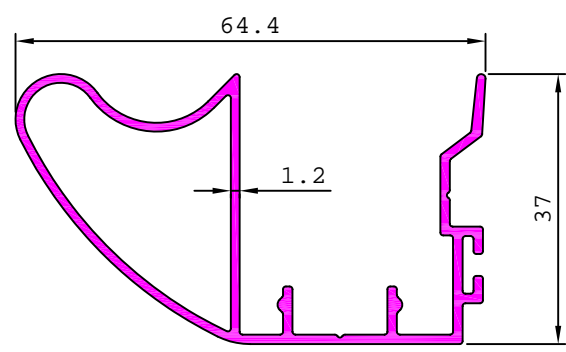
0.781 kg/m



MATCHING SECTION 21614

19467

0.710 kg/m

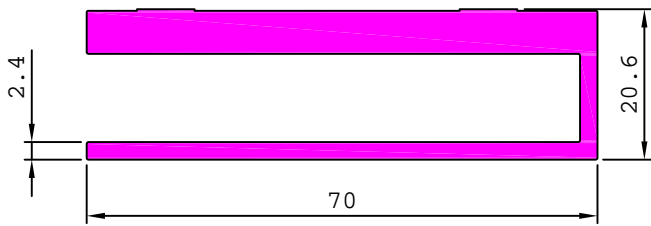


MATCHING SECTION 21615

DOORS SECTIONS

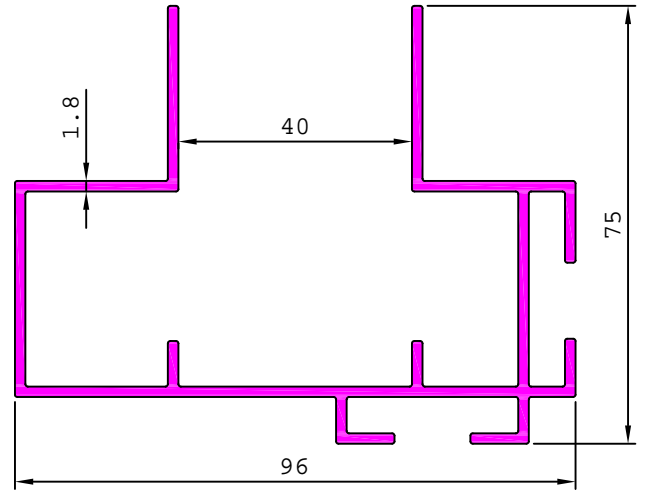
29562

1.655 kg/m



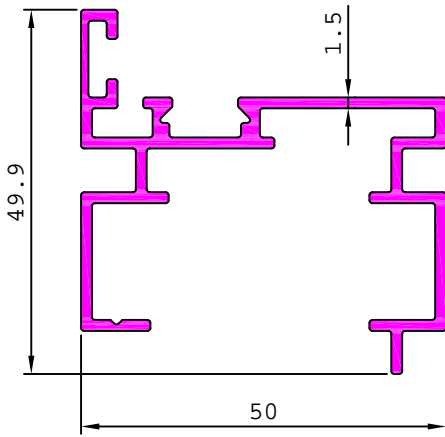
19638

1.687 kg/m



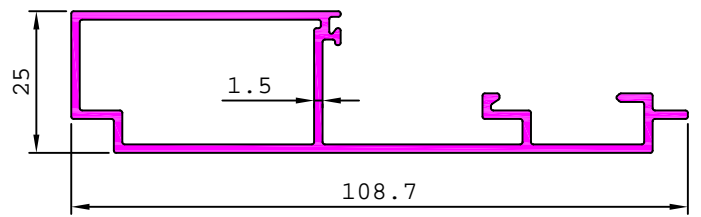
19644

0.808 kg/m



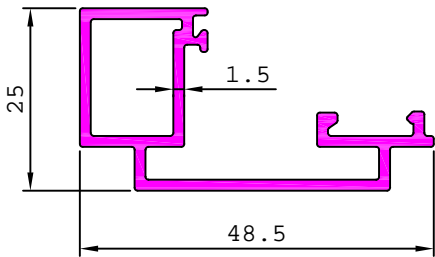
19643

0.952 kg/m



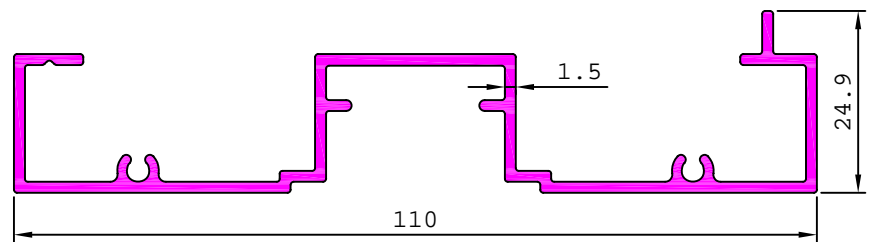
19645

0.552 kg/m



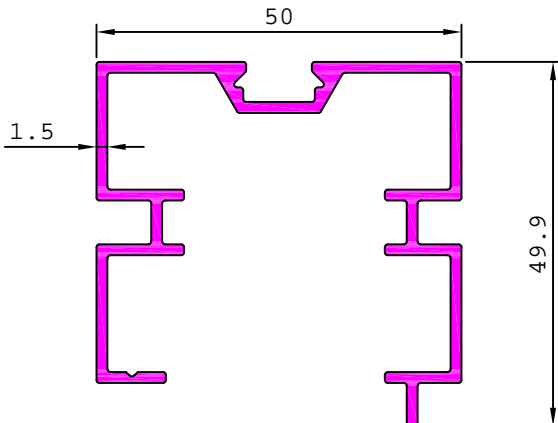
19655

0.913 kg/m



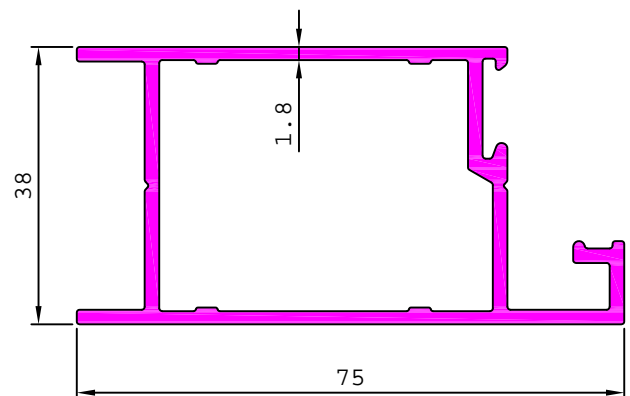
19656

0.859 kg/m



19652

1.172 kg/m

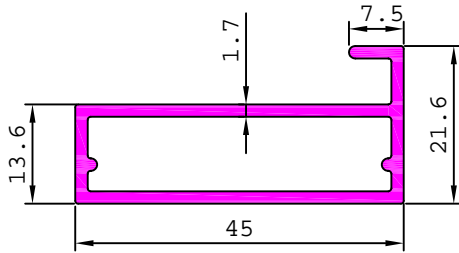


MATCHING SECTION 19472

DOORS SECTIONS

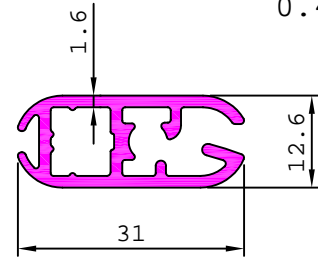
15171

0.580 kg/m



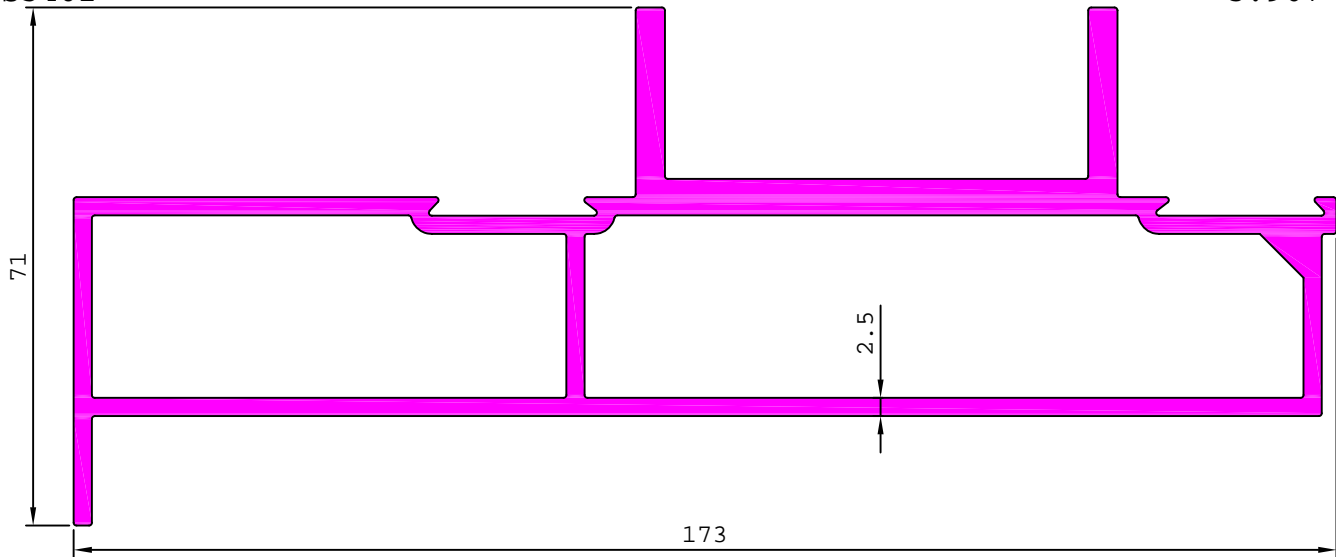
29694

0.416 kg/m



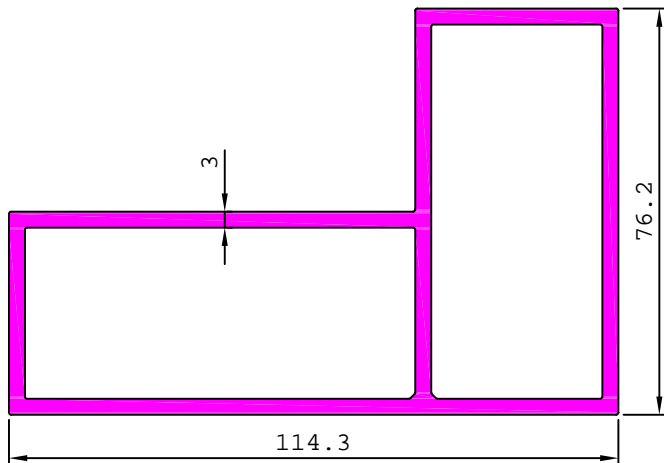
S5402

3.967 kg/m



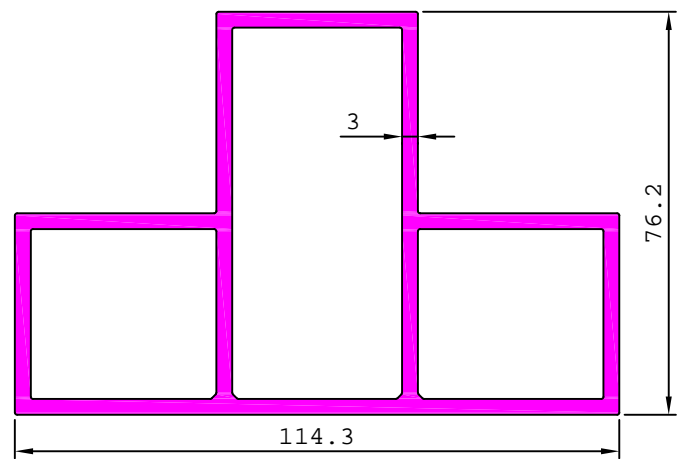
S5411

3.252 kg/m



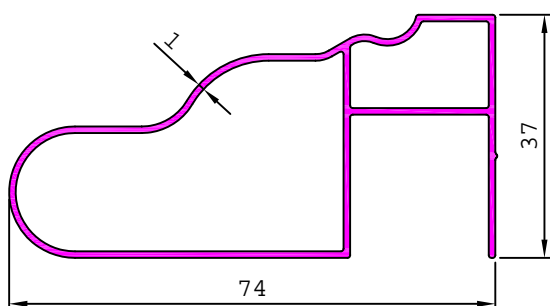
S5412

3.515 kg/m



19660

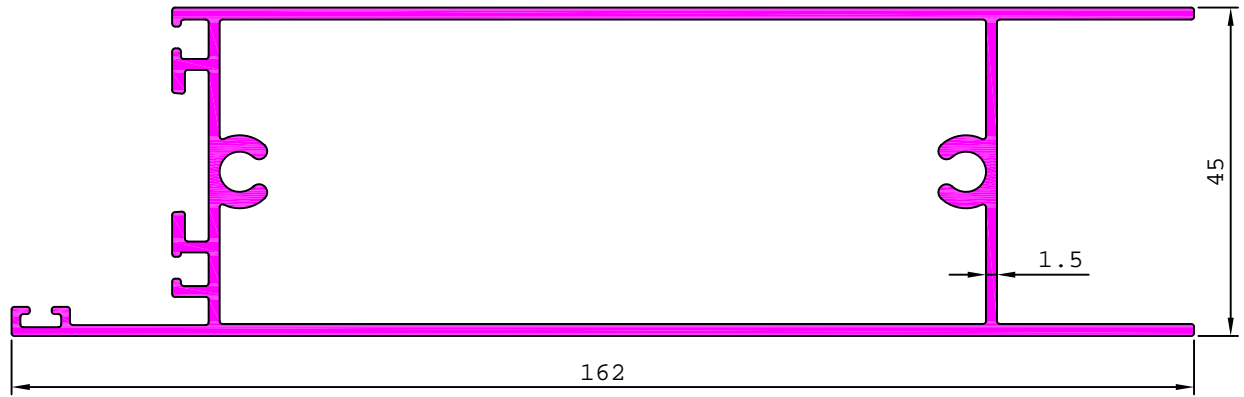
0.623 kg/m



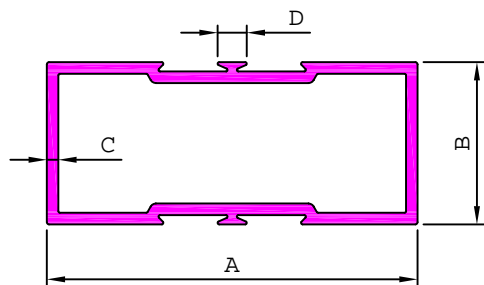
DOORS SECTIONS

21159

1.969 kg/m

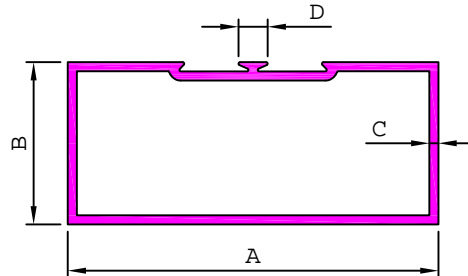


PARTITION SECTION



DOUBLE GROOVE

SL. No.	Section No.	A	B	C	D	Weight kg/m
1	20089	47.80	24.00	0.59	7.50	0.316
2	20050	50.80	25.40	0.63	7.50	0.350
3	20044	50.80	25.40	0.79	7.50	0.414
4	20079	50.80	25.40	0.98	7.50	0.496
5	20031	50.80	25.40	1.19	7.50	0.581
6	20017	50.80	25.40	1.34	8.00	0.651
7	20046	63.50	38.10	0.66	7.50	0.455
8	20069	63.50	38.10	0.83	7.50	0.547
9	20034	63.50	38.10	0.92	7.50	0.593
10	20053	63.50	38.10	1.08	7.50	0.686
11	20026	63.50	38.10	1.21	7.50	0.761
12	20062	63.50	38.10	1.28	8.00	0.805
13	20047	63.50	38.10	1.53	8.00	0.942
14	20072	63.50	38.10	1.85	8.00	1.095
15	20064	63.50	38.10	2.50	8.00	1.444
16	20004	63.50	38.10	3.18	8.00	1.790
17	20143	75.00	38.10	1.20	8.00	0.832
18	20144	75.00	45.00	1.25	8.00	0.908
19	20037	82.50	38.00	1.10	8.00	0.833
20	20124	89.00	32.00	1.50	8.00	1.079
21	20035	82.50	38.00	1.60	8.00	1.139
22	20160	82.50	38.00	3.18	8.00	2.115
23	20021	89.00	32.00	2.75	8.00	1.905
24	20147	92.00	31.75	1.30	8.00	0.972
25	20152	92.00	31.75	2.00	8.00	1.422
26	20051	101.60	44.45	1.20	8.00	1.060
27	20028	101.60	44.45	1.50	8.00	1.301
28	20076	101.60	44.45	1.93	8.00	1.608
29	20075	101.60	44.45	2.40	8.00	1.954
27	20057	101.60	44.45	2.50	8.00	2.050
27	20066	101.60	44.45	3.00	8.00	2.415
28	20010	101.60	44.45	3.18	8.00	2.683
29	20113	101.60	44.45	3.60	8.00	2.849
30	20145	116.00	44.50	1.50	8.00	1.404
31	20081	123.00	44.45	1.50	8.00	1.456

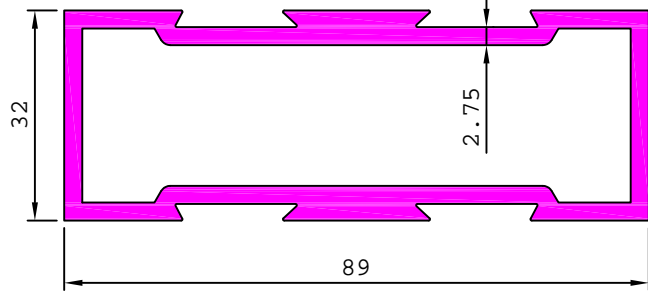


SINGLE GROOVE

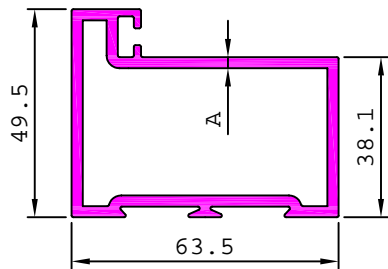
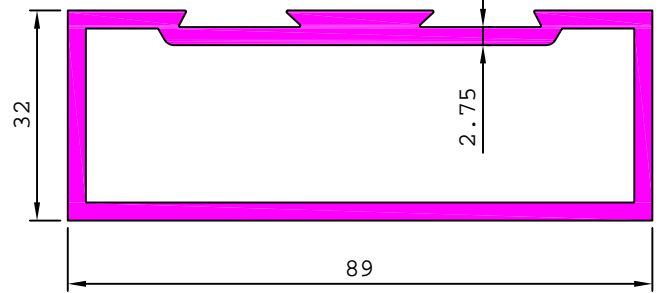
SL. No.	Section No.	A	B	C	D	Weight kg/m
1	20088	47.80	24.00	0.60	7.50	0.274
2	20058	50.00	25.00	2.00	8.00	0.849
3	20049	50.80	25.40	0.73	7.50	0.342
4	20043	50.80	25.40	0.91	7.50	0.414
5	20080	50.80	25.40	1.09	7.50	0.489
6	20030	50.80	25.40	1.30	8.00	0.581
7	20016	50.80	25.40	1.50	8.00	0.651
8	20045	63.50	38.10	0.75	7.50	0.455
9	20068	63.50	38.10	0.92	7.50	0.546
10	20033	63.50	38.10	1.01	7.50	0.595
11	20054	63.50	38.10	1.17	7.50	0.681
12	20027	63.50	38.10	1.31	8.00	0.758
13	20063	63.50	38.10	1.41	8.00	0.818
14	20125	63.50	38.10	1.50	8.00	0.861
15	20048	63.50	38.10	1.65	8.00	0.942
16	20073	63.50	38.10	1.95	8.00	1.092
17	20065	63.50	38.10	2.50	8.00	1.369
18	20005	63.50	38.10	3.18	8.00	1.777
19	20038	82.50	38.00	1.20	8.00	0.829
20	20036	82.50	38.00	1.70	8.00	1.139
21	20159	82.50	38.00	3.18	8.00	2.037
22	20158	82.50	82.50	1.80	8.00	1.633
23	20032	89.00	32.00	2.75	8.00	1.787
24	20126	92.00	29.50	1.15	7.50	0.794
25	20128	92.00	32.00	1.30	8.00	0.910
26	20052	101.60	44.45	1.27	8.00	1.049
27	20029	101.60	44.45	1.60	8.00	1.301
28	20146	101.60	44.45	1.90	8.50	1.534
29	20078	101.60	44.45	2.01	8.00	1.605
30	20077	101.60	44.45	2.47	8.00	1.950
31	20102	101.60	44.45	2.50	8.00	1.977
32	20067	101.60	44.45	3.00	8.00	2.342
33	20011	101.60	44.45	3.18	8.00	2.541
34	20112	101.60	44.45	3.70	8.00	2.846
35	20059	123.00	44.45	1.50	8.00	1.394
36	20136	123.00	44.45	3.00	8.00	2.687
37	20157	127.00	44.45	3.00	8.00	2.752
38	20139	127.20	25.25	1.22	8.00	1.048

PARTITION SECTION

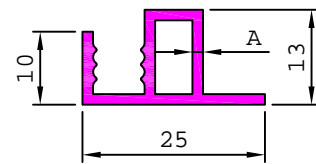
20023 2.150 kg/m



20022 1.933 kg/m

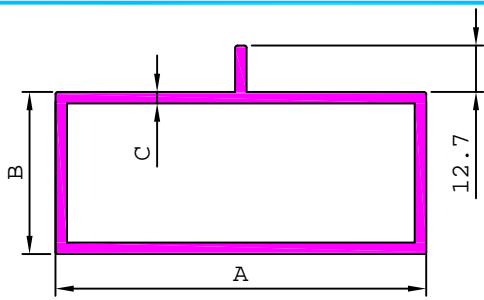


SL. No.	Section No.	A	Weight kg/m
1	20130	1.40	0.947
2	20024	1.70	1.158
3	20001	2.65	1.657
4	20137	3.18	1.954

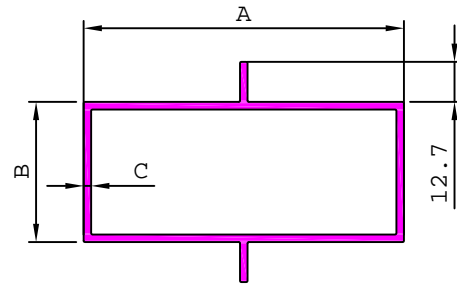


SL. No.	Section No.	A	Weight kg/m
1	20150	0.85	0.155
2	20151	1.10	0.195
3	20121	1.20	0.210
4	20107	1.44	0.246
5	20105	1.50	0.255

PARTITION SECTION

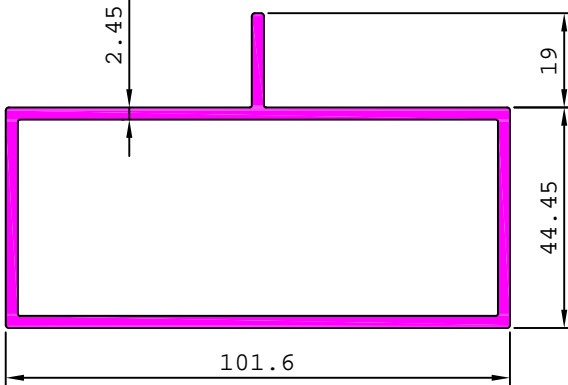


SL. No.	Section No.	A	B	C	Weight kg/m
1	20074	101.60	44.45	2.45	1.951
2	20008	101.60	44.45	3.18	2.508

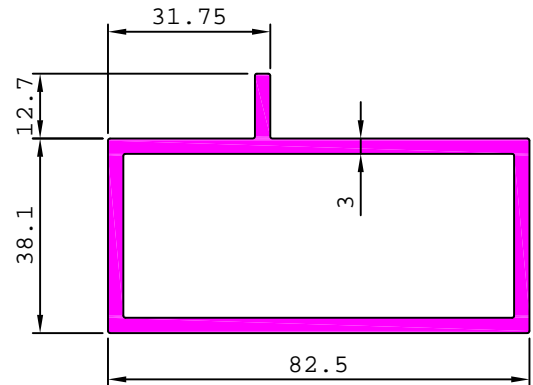


SL. No.	Section No.	A	B	C	Weight kg/m
1	20007	101.60	44.45	2.40	1.995
2	20101	101.60	44.45	3.18	2.617

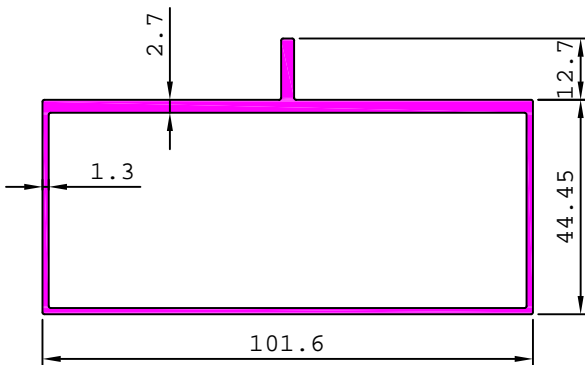
20141 1.992 kg/m



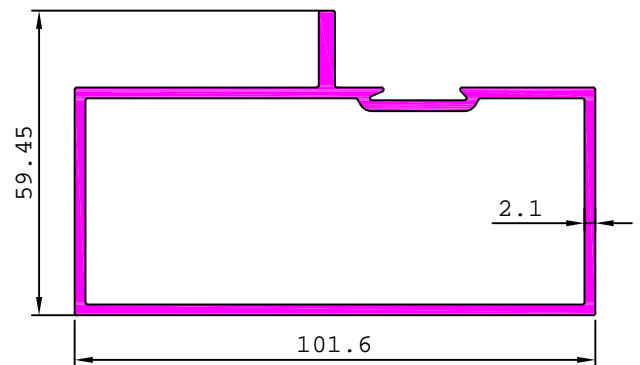
20013 1.959 kg/m



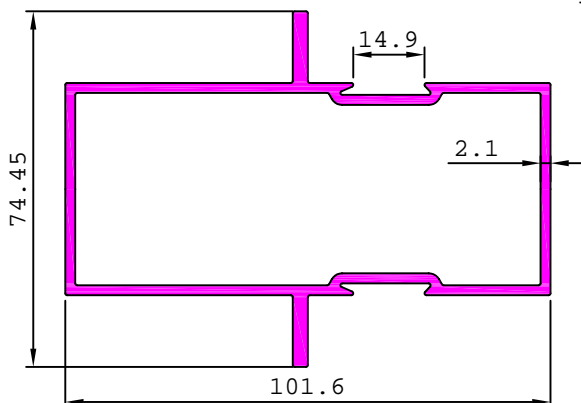
20155 1.474 kg/m



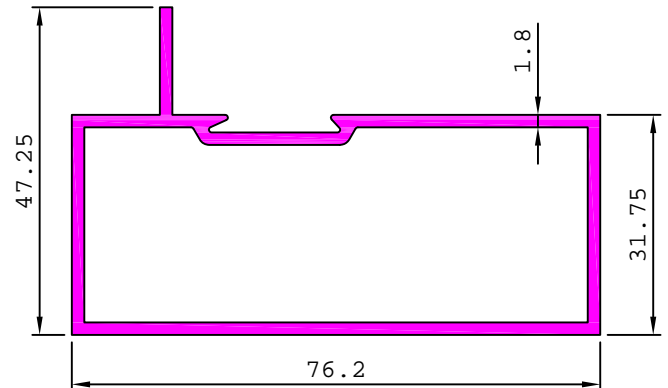
20122 1.774 kg/m



20123 1.943 kg/m



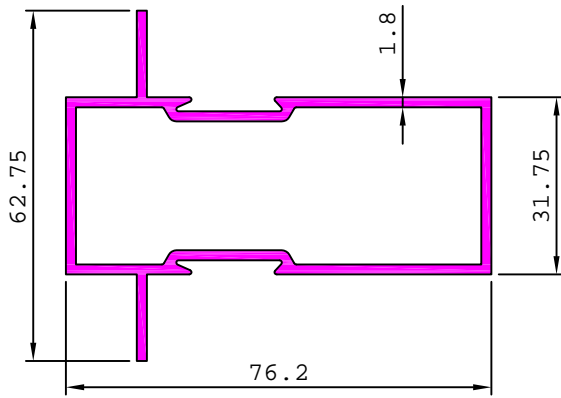
20362 1.153 kg/m



PARTITION SECTION

20363

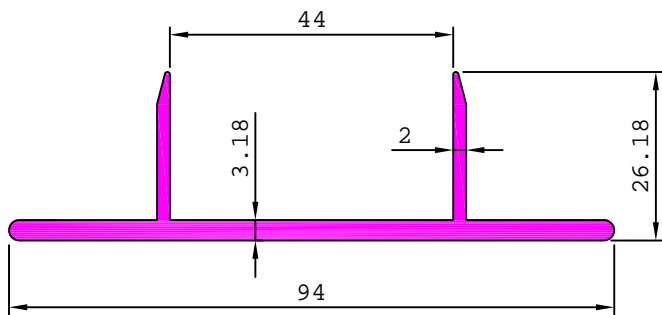
1.297 kg/m



PARTITION SECTION

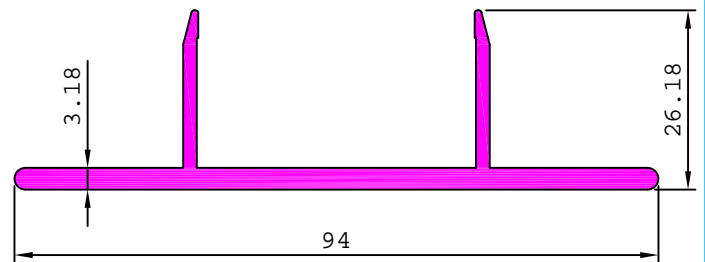
20055

1.032 kg/m



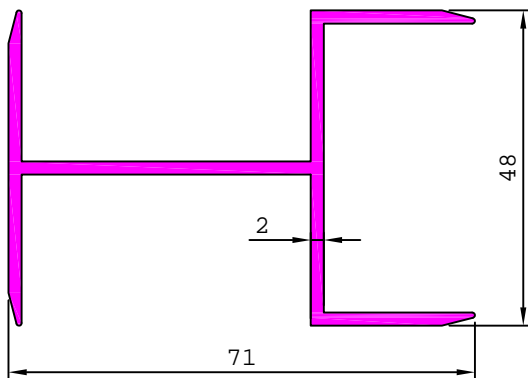
20134

1.036 kg/m



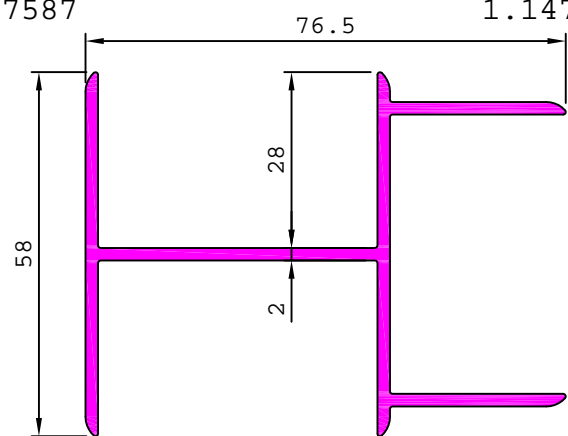
20056

0.969 kg/m



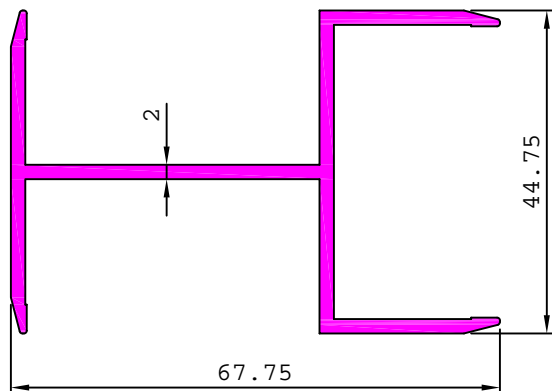
17587

1.147 kg/m



20133

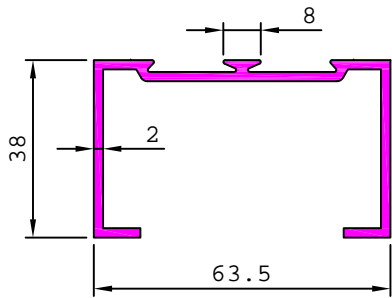
0.925 kg/m



PARTITION SECTION

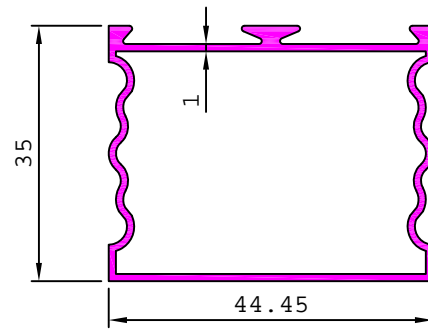
20012

0.886 kg/m



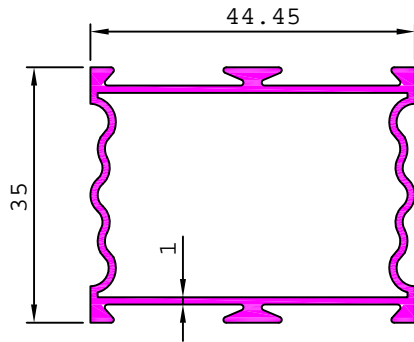
20094

0.499 kg/m



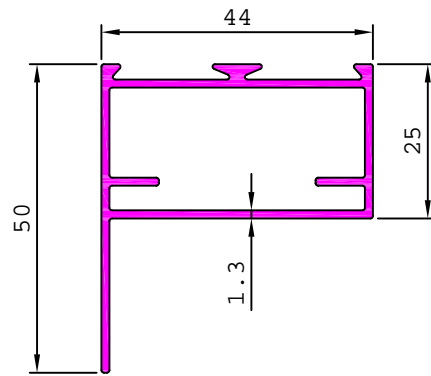
20095

0.556 kg/m



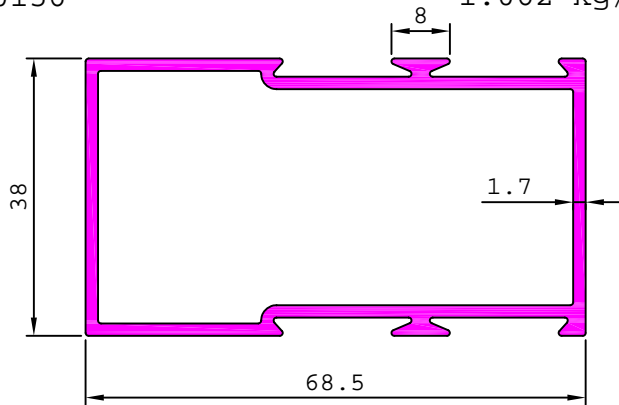
20148

0.661 kg/m



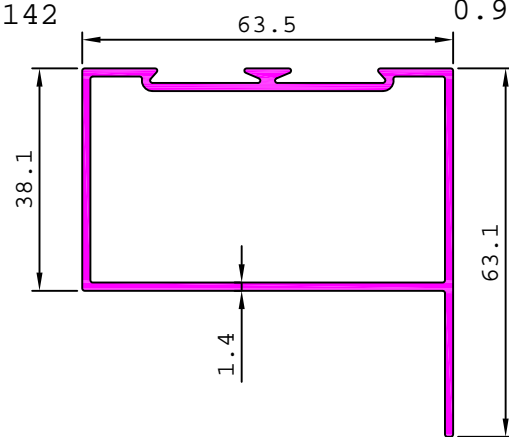
20156

1.062 kg/m



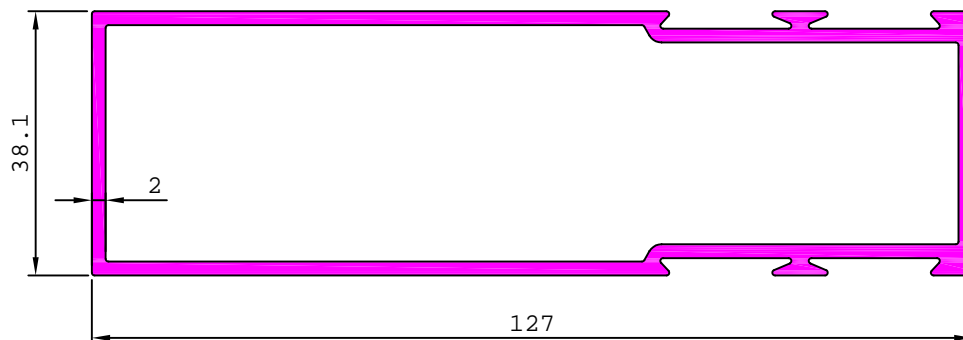
20142

0.901 kg/m



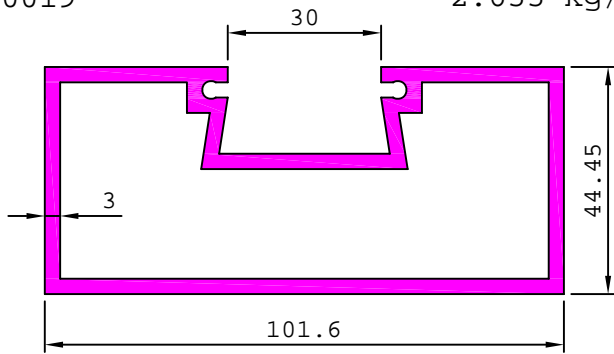
20127

1.887 kg/m

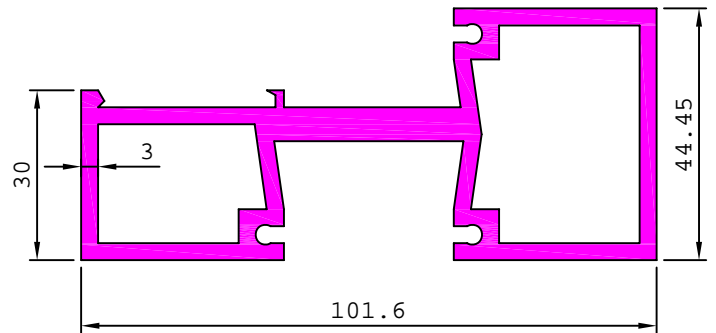


PARTITION SECTION

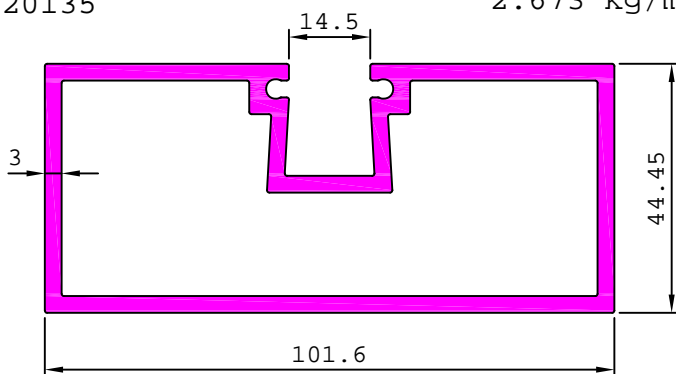
20019 2.655 kg/m



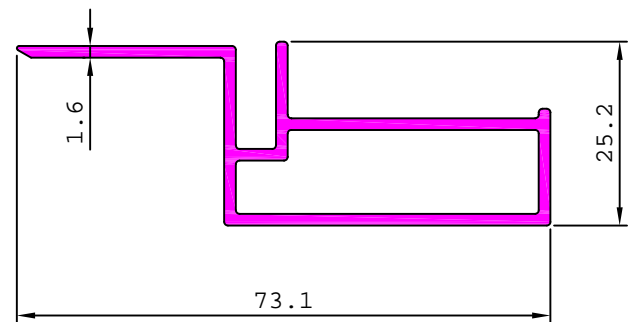
20020 2.818 kg/m



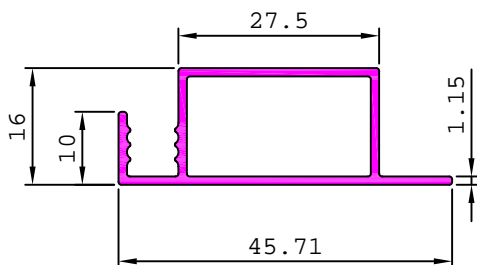
20135 2.673 kg/m



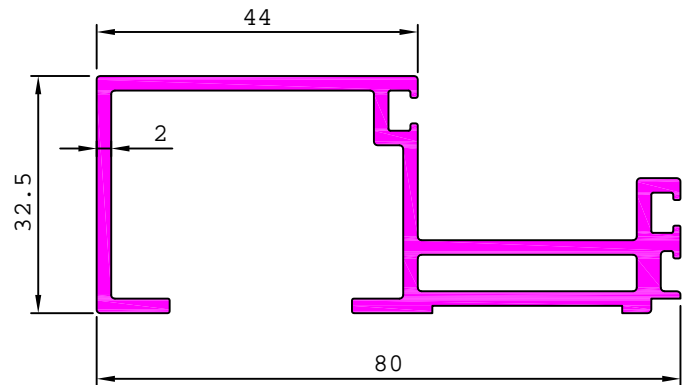
20092 0.717 kg/m



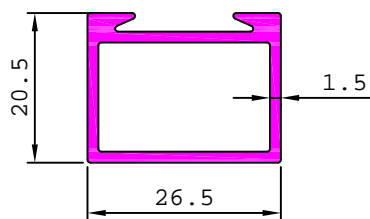
20129 0.346 kg/m



20093 1.197 kg/m



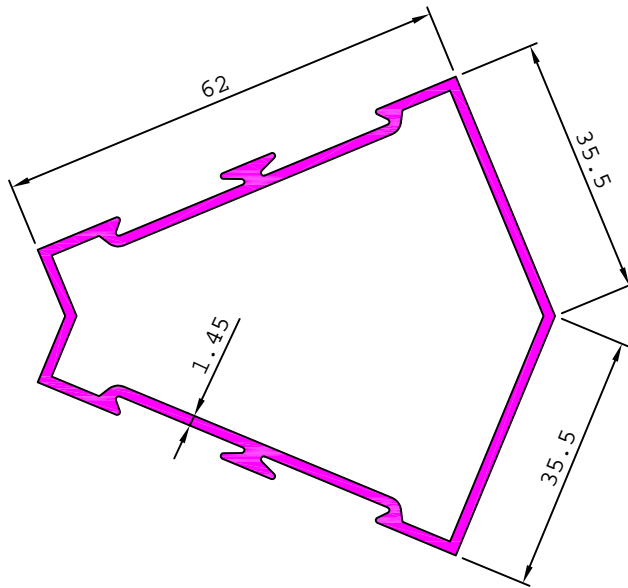
20161 0.407 kg/m



SAMOSA SECTION

20103

0.944 kg/m



20106

1.875 kg/m

